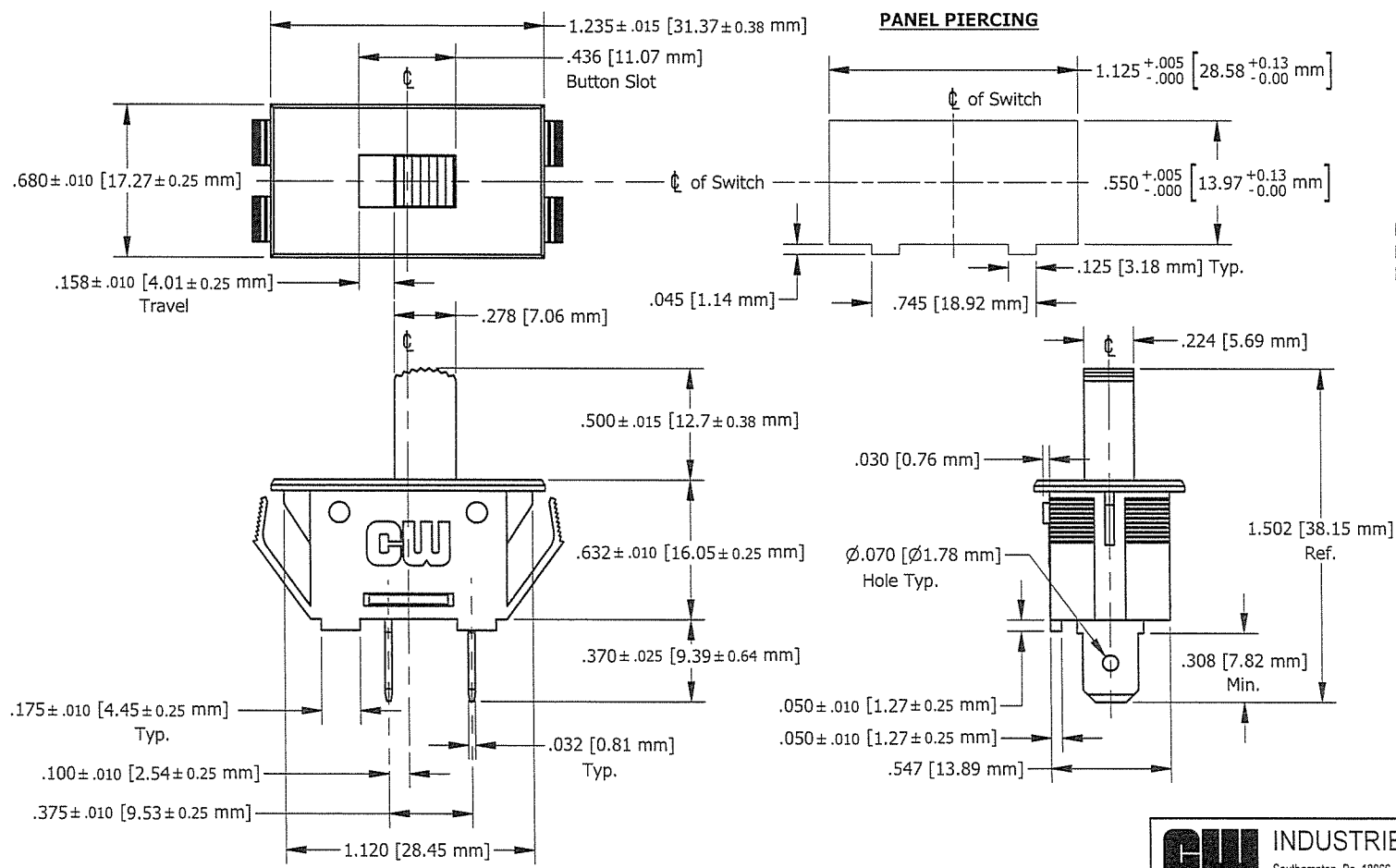


THIS INFORMATION IS CONFIDENTIAL AND PROPRIETARY TO CW INDUSTRIES INCORPORATED AND ITS AFFILIATES. IT MAY NOT BE DISCLOSED TO ANYONE OTHER THAN CW INDUSTRIES PERSONNEL, WITHOUT WRITTEN AUTHORIZATION FROM CW INDUSTRIES INCORPORATED, SOUTHAMPTON, PENNSYLVANIA, USA.

DIMENSIONS IN INCHES (MILLIMETERS)
DO NOT SCALE DRAWING

Dwg. No. G-2011-0038	
REVISIONS	0 New. <i>G. Guld</i> 11-15-18 <small>DWG 11/15/18</small>



Materials:
Button: Nylon 6/6, Color- White
Housing: Nylon 6/6, Color- White

CW INDUSTRIES Southampton, Pa. 18966 TOLERANCES UNLESS OTHERWISE SPECIFIED 2 Place Decimal ± .010 METRIC 3 Place Decimal ± .005 1 Place Dec. ± .25mm Angles ± 1' 2 Place Dec. ± .13mm	Title: SNAP IN SLIDE SWITCH ASSEMBLY S.P.- S.T. POLARIZED
	Made for: CW IND. Division: SWITCH
Drawn by: DGW 11/15/18	Checked by: G. GULD 11-15-18
Approval: <i>C. [Signature]</i>	Dwg. No. G-2011-0038

1 2 3 4 5 6 7 8 9 10

MASTER