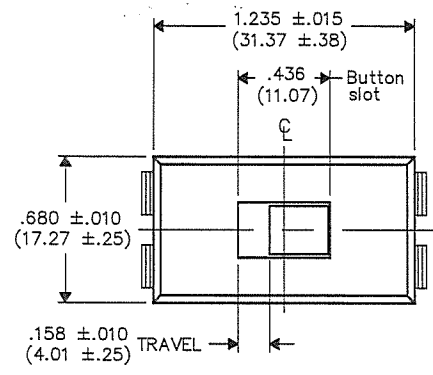


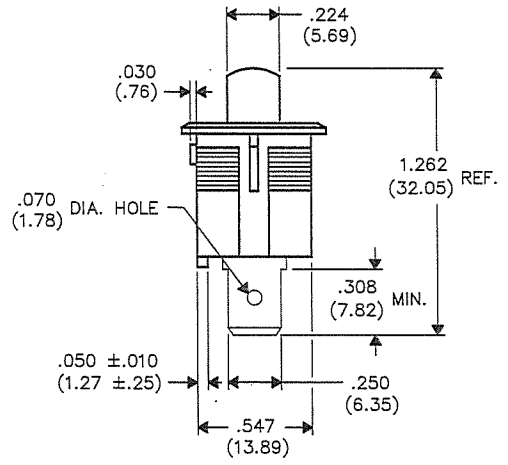
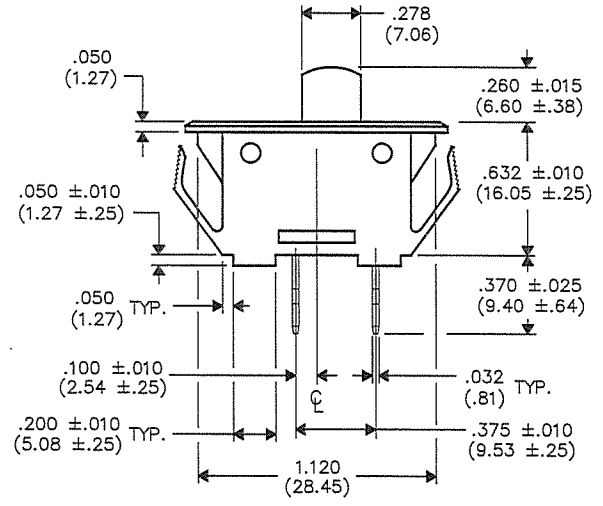
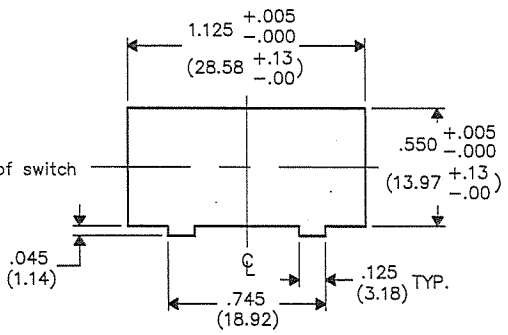
E
D
C
B
A

DIMENSIONS IN INCHES (MILLIMETERS)
DO NOT SCALE DRAWING

Dwg. No.
G-2011-0041



PANEL PIERCING



1 2 3 4 5 6 7 8 9 10

B-FORMAT 2002
REVISIONS
1
Redrawn. New format.
DGW 11/14/18
11/14/18

CW INDUSTRIES
Southampton, Pa. 18966

TOLERANCES UNLESS OTHERWISE SPECIFIED:	
2 Place Decimal ±.010	METRIC
3 Place Decimal ±.005	1 Place Dec. ±.25mm
Angles ±1'	2 Place Dec. ±.13mm

Made for: CW IND.
Drawn by: DGW 11/14/18
Checked by: G. GULD 11-15-18
Approval: [Signature] 11/15/18

Title: SWITCH ASSEMBLY
W/RADIUS BUTTON
S.P.-S.T. SNAP IN
W/POLARIZE BUMPS

Division: SWITCH
Dwg. No. G-2011-0041

MASTER