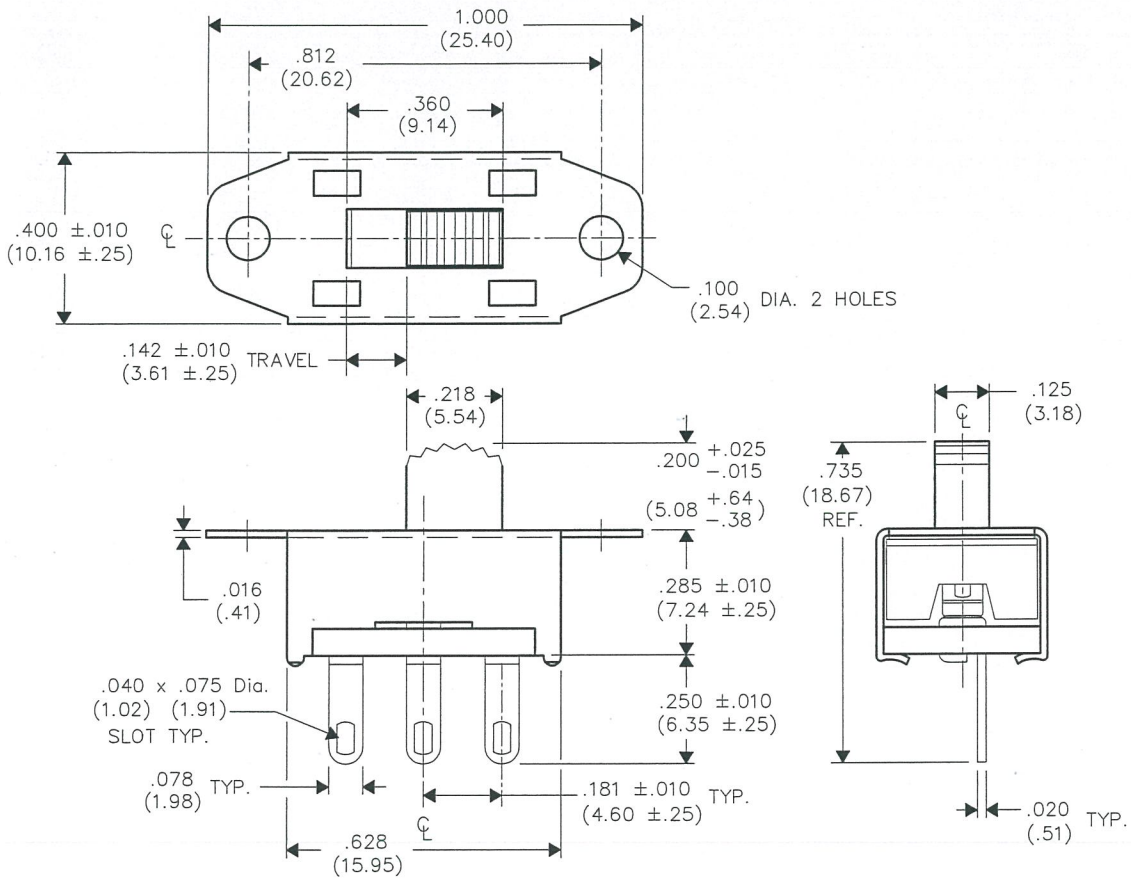


THIS INFORMATION IS CONFIDENTIAL AND PROPRIETARY TO CW INDUSTRIES INCORPORATED AND ITS AFFILIATES. IT MAY NOT BE DISCLOSED TO ANYONE OTHER THAN CW INDUSTRIES PERSONNEL, WITHOUT WRITTEN AUTHORIZATION FROM CW INDUSTRIES INCORPORATED, SOUTHAMPTON, PENNSYLVANIA USA.

DIMENSIONS IN INCHES (MILLIMETERS)  
DO NOT SCALE DRAWING .....

Dwg. No.  
**GF-124-0191**



1	2	3	4	5	6	7	8	9	10
---	---	---	---	---	---	---	---	---	----

B-FORMAT 2002 <b>REVISIONS</b> 0 RELEASED: DGW 2-10-17 FEB 14 2017	<b>CW INDUSTRIES</b> Southampton, Pa. 18966 TOLERANCES UNLESS OTHERWISE SPECIFIED 2 Place Decimal ±.010 METRIC 3 Place Decimal ±.005 1 Place Dec. ±.25mm Angles ..... ±1' 2 Place Dec. ±.13mm						Title: <b>MINI - SLIDE SWITCH ASSEMBLY S.P./D.T.</b>	
	Made for: CW Ind.						Division: <b>SWITCH</b>	
	Drawn by: DGW 2-10-17						Dwg. No. <b>GF-124-0191</b>	
	Checked by: <i>G. Gold 2-14-17</i>						Approval: <i>G. Gold 2-14-17</i>	

MASTER