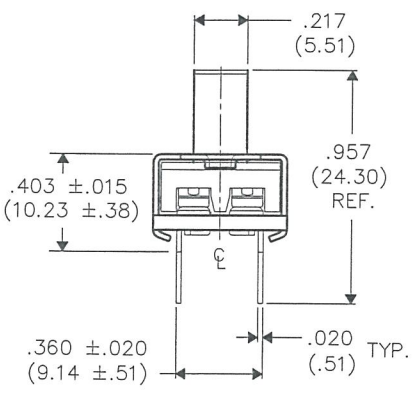
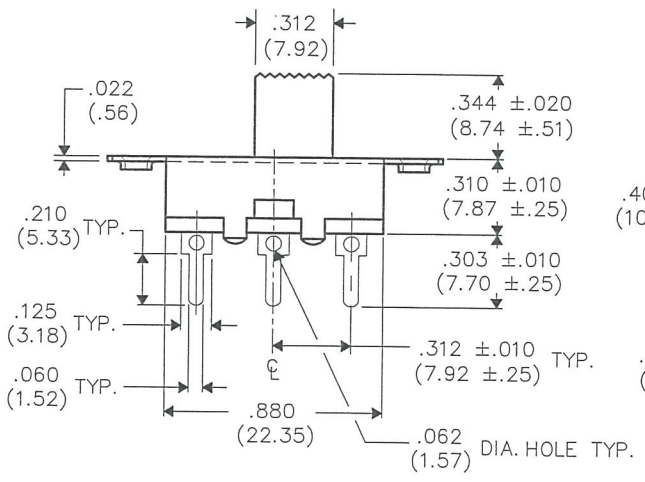
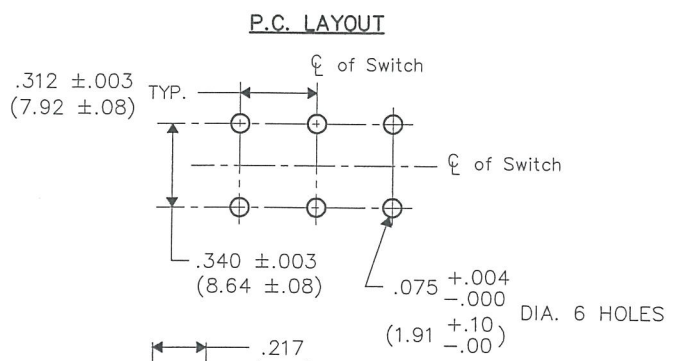
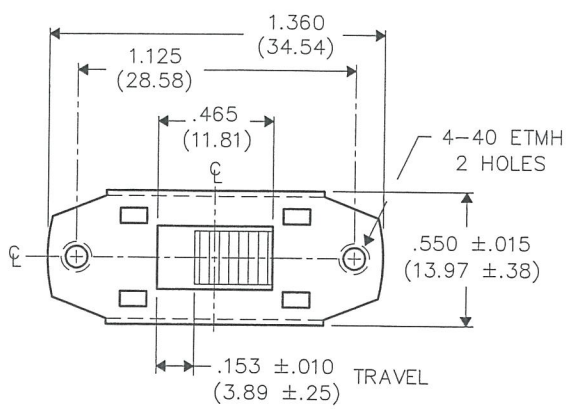


E  
 D  
 C  
 B  
 A

THIS INFORMATION IS CONFIDENTIAL AND PROPRIETARY TO CW INDUSTRIES INCORPORATED AND ITS AFFILIATES. IT MAY NOT BE DISCLOSED TO ANYONE, OTHER THAN CW INDUSTRIES PERSONNEL, WITHOUT WRITTEN AUTHORIZATION FROM CW INDUSTRIES INCORPORATED, SOUTHAMPTON, PENNSYLVANIA, U.S.A.

DIMENSIONS IN INCHES (MILLIMETERS)  
 DO NOT SCALE DRAWING .....

Dwg. No.  
**GF-326-0131**



1 2 3 4 5 6 7 8 9 10

B-FORMAT 2002

**REVISIONS**  
 RELEASED:  
 DGW 7-12-13  
 JUL 12 2013

PDF MADE	<b>CW INDUSTRIES</b> Southampton, Pa. 18966		Title: <b>SWITCH ASSEMBLY</b> D.P. - D.T.
	TOLERANCES UNLESS OTHERWISE SPECIFIED 2 Place Decimal ±.010 METRIC 3 Place Decimal ±.005 1 Place Dec. ±.25mm Angles ..... ±1' 2 Place Dec. ±.13mm		
	Made for: CW IND.		Division: <b>SWITCH</b>
	Drawn by: DGW 7-12-13 Checked by: <i>G. Guld 7-16-13</i> Approved: <i>G. Guld 7-16-13</i>		Dwg. No. <b>GF-326-0131</b>

MASTER