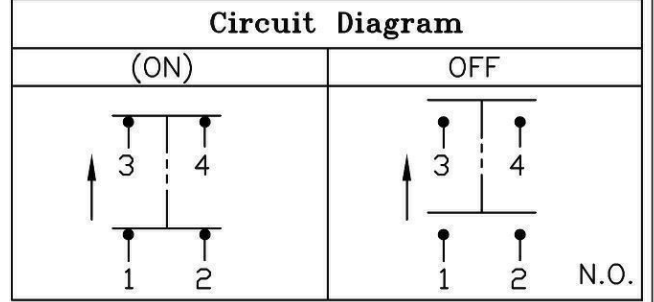
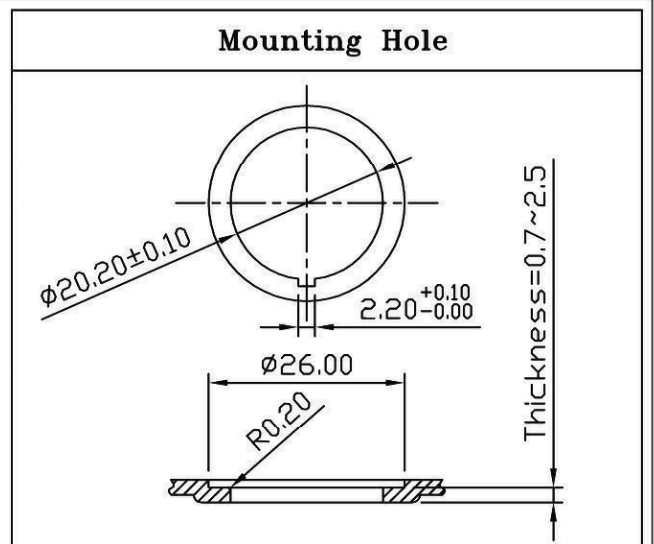
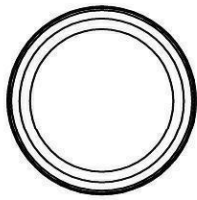


THIS INFORMATION IS CONFIDENTIAL AND PROPRIETARY TO CW INDUSTRIES INCORPORATED AND ITS AFFILIATES. IT MAY NOT BE DISCLOSED TO ANYONE, OTHER THAN CW INDUSTRIES PERSONNEL, WITHOUT WRITTEN AUTHORIZATION FROM CW INDUSTRIES INCORPORATED, SOUTHAMPTON, PENNSYLVANIA USA.

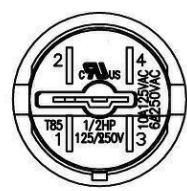
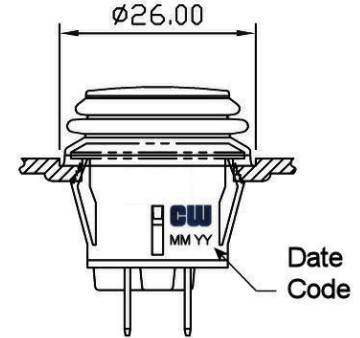
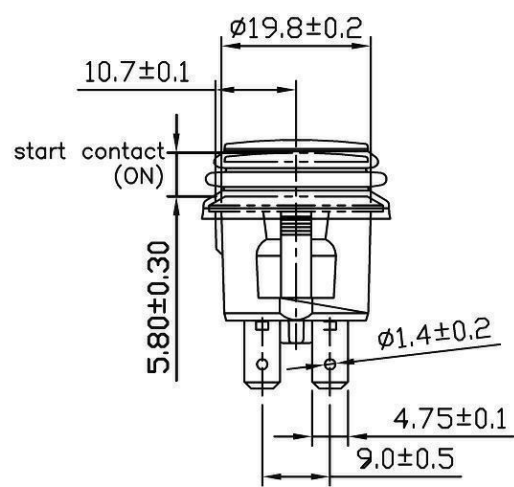
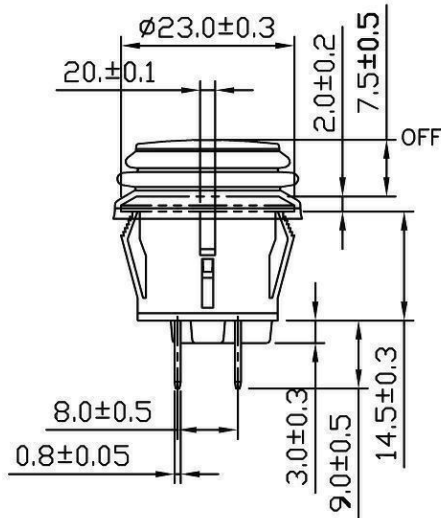
|                       |  |  |
|-----------------------|--|--|
| Rating                | 10A 125V, 6A 250V AC<br>1/2HP 125/250VAC |  |
|                       | 20A 14VDC, 10A 28VDC                     |  |
| Contact Resistance    | 50m ohm Max.                             |  |
| Insulation Resistance | DC 500V 100M ohm Min.                    |  |
| Dielectric Strength   | AC 1500V 1 minute                        |  |
| Operation Temp.       | - 25 °C ~ 85 °C                          |  |
| Function              | 4P DPST (ON)-OFF                         |  |

( )=Momentary Function

**Material:**  
 Frame: Black, Nylon 66 (94-V2)  
 Actuator: Black, PC (94-V2)  
 Terminals: Silver plated, Copper alloy  
 Waterproof Rubber: Black, Silicone  
 Printed: None  
 Waterproof: IP65



Full travel:4.5mm



RoHS Compliant

1 Added date code. 1/17/11.

**CW INDUSTRIES**  
 Southampton, Pa. 18966  
 Tel 215.355.7080/www.cwind.com

Date Drawn: 12/15/10  
 Rev. 1  
 Title: **PUSH BUTTON SWITCH**

Unit: mm  
 Checked By: **G.Guld**  
 CW P/N: **GPB527A202BB**