
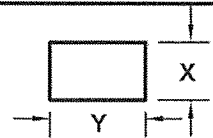

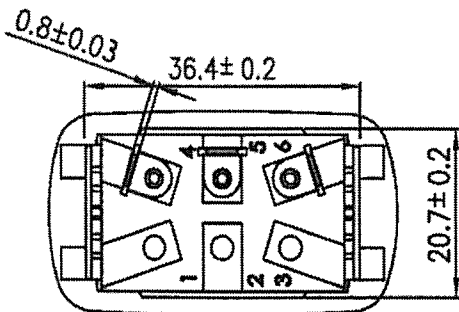
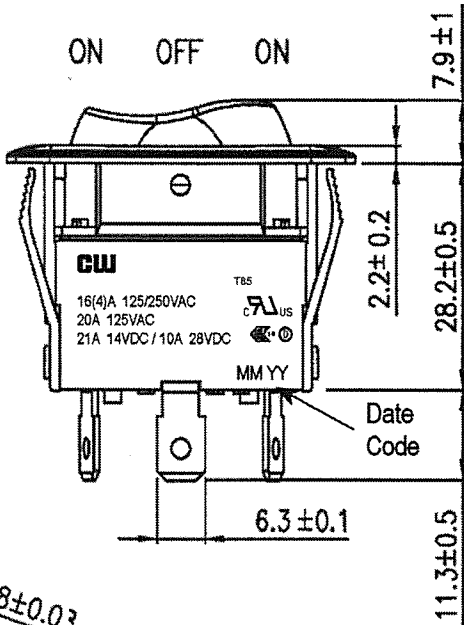
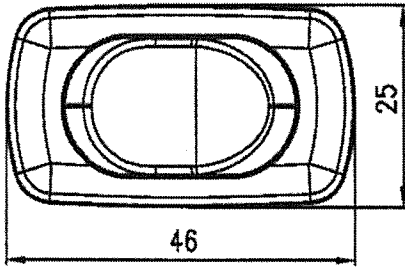


THIS INFORMATION IS CONFIDENTIAL AND PROPRIETARY TO CW INDUSTRIES INCORPORATED AND ITS AFFILIATES. IT MAY NOT BE DISCLOSED TO ANYONE, OTHER THAN CW INDUSTRIES PERSONNEL, WITHOUT WRITTEN AUTHORIZATION FROM CW INDUSTRIES INCORPORATED, SOUTHAMPTON, PENNSYLVANIA USA.

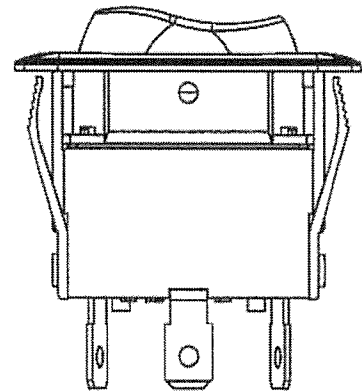
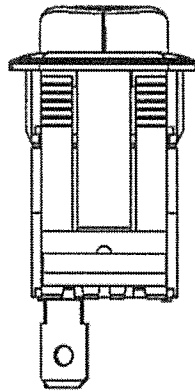
Rating	16(4)A 125/250VAC	T85		Mounting Hole 	Circuit Diagram 									
	20A 125VAC					21A 14VDC / 10A 28VDC	<table border="1"> <thead> <tr> <th>Thickness</th> <th>X</th> <th>Y</th> </tr> </thead> <tbody> <tr> <td>0.75 - 1.25</td> <td>21.2 + 0.1</td> <td>36.6 + 0.1</td> </tr> <tr> <td>1.25 - 2.00</td> <td>21.2 + 0.1</td> <td>36.8 + 0.1</td> </tr> <tr> <td>2.00 - 3.00</td> <td>21.2 + 0.1</td> <td>37.0 + 0.1</td> </tr> </tbody> </table>	Thickness	X	Y	0.75 - 1.25	21.2 + 0.1	36.6 + 0.1	1.25 - 2.00
Thickness	X	Y												
0.75 - 1.25	21.2 + 0.1	36.6 + 0.1												
1.25 - 2.00	21.2 + 0.1	36.8 + 0.1												
2.00 - 3.00	21.2 + 0.1	37.0 + 0.1												
Contact Resistance	50m ohm max.													
Insulation Resistance	DC 500V 100M ohm min.													
Dielectric Strength	AC 1500V 1 minute													
Operating Temperature	-20 °C ~ 85 °C													
Function	3P SPDT ON - OFF - ON													



MATERIAL:

FRAME: Black, Nylon #66
 ACTUATOR: Black, Nylon #66
 Printed: None
 Water proof and dust proof to fit IP-56.

Tolerances +/- 0.3 Unless Otherwise Specified.



Order Chart						
Actuator Style						
Series	LED None			Printing None		
GRB263	D	0	01	N	N	N
Function			Terminal Style			
Lamp None						

R13-263D0-01-BB-16NN00

3 Updated ratings. 2/14/18.

CW INDUSTRIES
 Southampton, Pa. 18966
 Tel 215.355.7080/www.cwind.com

Date Drawn: 1/31/11

Rev. 3

Unit: mm

Checked By: *G. GOLD*

Title:
ROCKER SWITCH

CW P/N:
GRB263D001NNN