
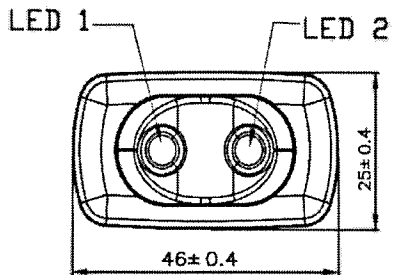
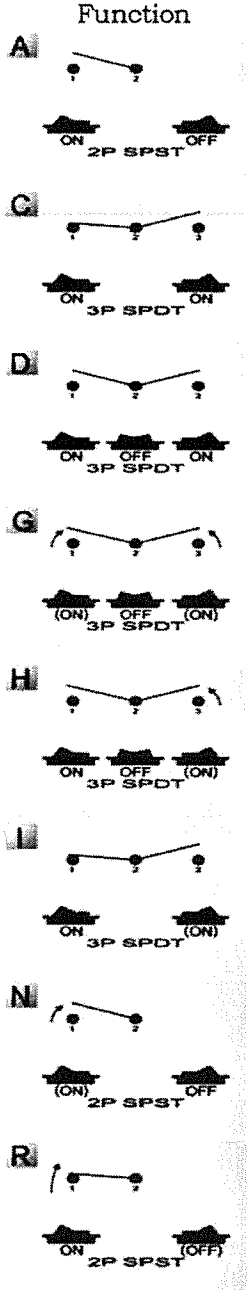
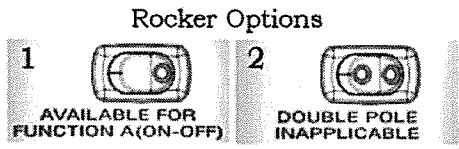
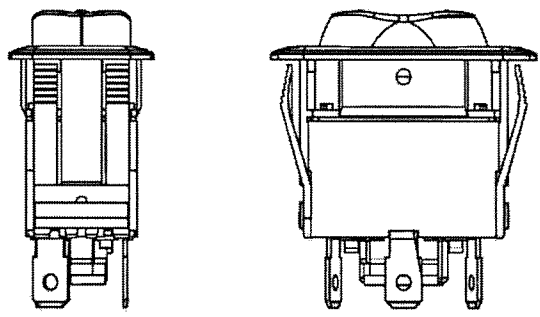
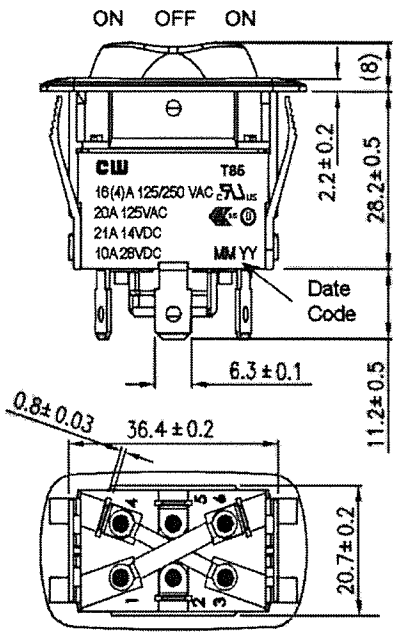






THIS INFORMATION IS CONFIDENTIAL AND PROPRIETARY TO CW INDUSTRIES INCORPORATED AND ITS AFFILIATES. IT MAY NOT BE DISCLOSED TO ANYONE, OTHER THAN CW INDUSTRIES PERSONNEL, WITHOUT WRITTEN AUTHORIZATION FROM CW INDUSTRIES INCORPORATED, SOUTHAMPTON, PENNSYLVANIA USA.

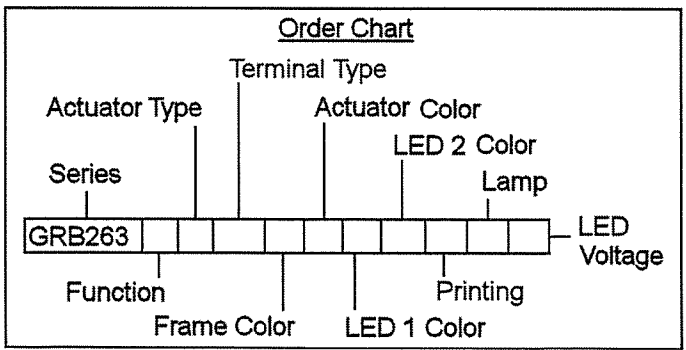
Rating	16(4)A 125/250VAC	T85	c  US	Mounting Hole
	20A 125VAC			
	21A 14VDC / 10A 28VDC			
Contact Resistance	50m ohm Max.			
Insulation Resistance	DC 500V 100M ohm Min.			
Dielectric Strength	AC 1500V 1 minute			
Switch Function	SEE CHART	Thickness	X	Y
Operation Temperature	-20°C~85°C	0.75~1.25	21.2+0.1	36.6+0.1
		1.25~2	21.2+0.1	36.8+0.1
		2~3	21.2+0.1	37.0+0.1



Frames are Black, Nylon (UL Flame: 94HB).
Actuators are Black, Nylon with glass fiber (UL Flame: 94HB).
Terminals are silver plated brass
No IP rating.



- Terminal**
- 0.1  .250" SQ
 - 0.4  SAE SQ
 - 0.5  SO
 - 0.8  SC 6-32UNC



1 Updated views & ratings. 2/15/18.

CW INDUSTRIES
Southampton, Pa. 18966
Tel 215.355.7080/www.cwind.com

Date Drawn: 1/19/2011

Rev. 1

Unit: mm

Checked By: *G. GOLD*

Title: **ROCKER SWITCH**

CW P/N: **GRB263XXSERIES**