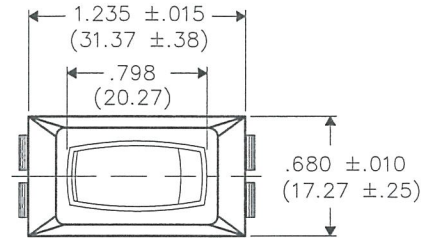
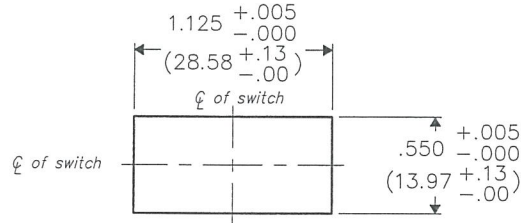


THIS INFORMATION IS CONFIDENTIAL AND PROPRIETARY TO CW INDUSTRIES INCORPORATED AND ITS AFFILIATES. IT MAY NOT BE DISCLOSED TO ANYONE, OTHER THAN CW INDUSTRIES PERSONNEL, WITHOUT WRITTEN AUTHORIZATION FROM CW INDUSTRIES INCORPORATED, SOUTHAMPTON, PENNSYLVANIA USA.

DIMENSIONS IN INCHES (MILLIMETERS)
 DO NOT SCALE DRAWING

Dwg. No.
GRS-2011-2058

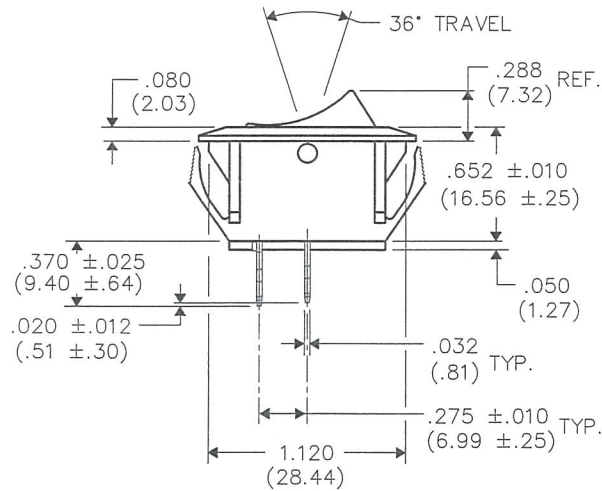
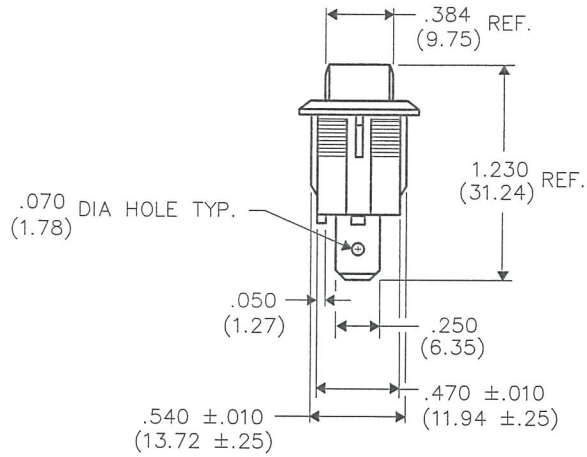
PANEL PIERCING



SWITCH COLOR - White

SWITCH RATINGS:

UL & CSA
 16A. 125VAC 12A. 250VAC
 3/4 H.P. 125-250 VAC 10A. 14V (T)
VDE
 12(6)A. 250V ~ T85°



B-FORMAT 2002	REVISIONS									
	0	RELEASED.	7-01-13	JUL 10 2013						
	DGW									

PDF MADE	CW INDUSTRIES		Southampton, Pa. 18966		Title: ASSEMBLY DRAWING	
	TOLERANCES UNLESS OTHERWISE SPECIFIED				S.P.ST. ROCKER SWITCH	
	2 Place Decimal \pm .010	METRIC		NON - POLARIZED		
	3 Place Decimal \pm .005	1 Place Dec. \pm .25mm	1.125" x .550" PANEL		Division: SWITCH	
Angles \pm 1°		2 Place Dec. \pm .13mm		Dwg. No. GRS-2011-2058		
Made for: CWIND.			Dwg. No. GRS-2011-2058			
Drawn by: DGW 7-01-13			Dwg. No. GRS-2011-2058			
Checked by: G. Gold 7-8-13			Dwg. No. GRS-2011-2058			
Approval: G. Gold 7-8-13			Dwg. No. GRS-2011-2058			

MASTER