

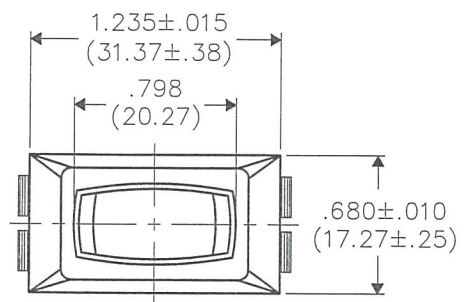
F
 D
 C
 B
 A

B-FORMAT 2002
 REVISIONS
 0
 RELEASED: DGW 7-01-13
 JUL 19 2013

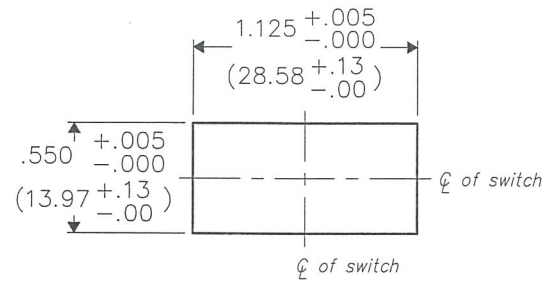
THIS INFORMATION IS CONFIDENTIAL AND PROPRIETARY TO CW INDUSTRIES INCORPORATED AND ITS AFFILIATES. IT MAY NOT BE DISCLOSED TO ANYONE OTHER THAN CW INDUSTRIES PERSONNEL, WITHOUT WRITTEN AUTHORIZATION FROM CW INDUSTRIES INCORPORATED, SOUTHAMPTON, PENNSYLVANIA USA.

DIMENSIONS IN INCHES (MILLIMETERS)
DO NOT SCALE DRAWING

Dwg. No.
GRS-2013A-2017



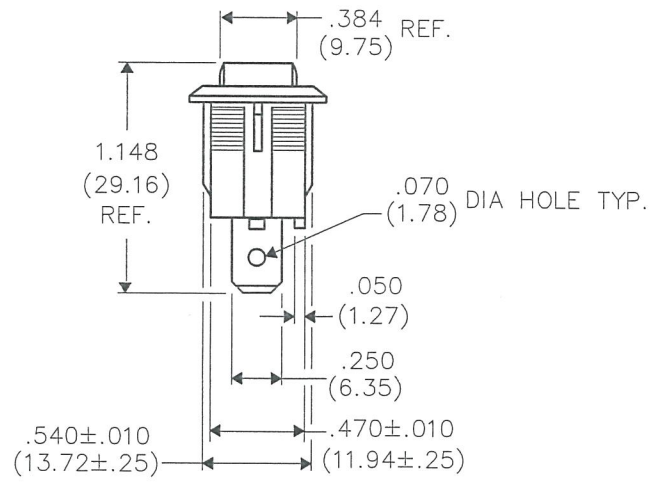
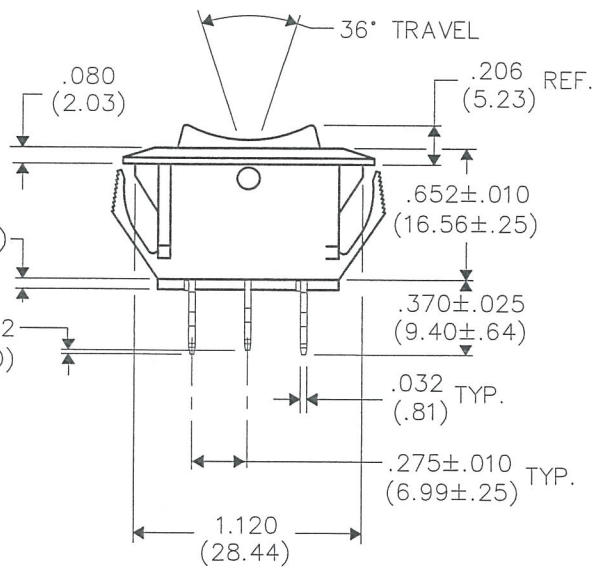
PANEL PIERCING



SWITCH COLOR - White

SWITCH RATINGS:

- UL & CSA
- 16A. 125VAC 12A. 250VAC
- 3/4 H.P. 125-250 VAC
- 10A. 14V (T)



1 2 3 4 5 6 7 8 9 10

cw INDUSTRIES
Southampton, Pa. 18966

TOLERANCES UNLESS OTHERWISE SPECIFIED	
2 Place Decimal ±.010	METRIC
3 Place Decimal ±.005	1 Place Dec. ±.25mm
Angles ±1°	2 Place Dec. ±.13mm

Made for: CW IND.
 Drawn by: DGW 7-01-13
 Checked by: *G. Gold 7-2-13*
 Approval: *G. Gold 7-2-13*

Title: **ASSEMBLY DRAWING**
CENTER OFF
 S.P.D.T. ROCKER SWITCH
 NON-POLARIZED
 1.125" x .550" PANEL

Division: **SWITCH**

Dwg. No.
GRS-2013A-2017

MASTER