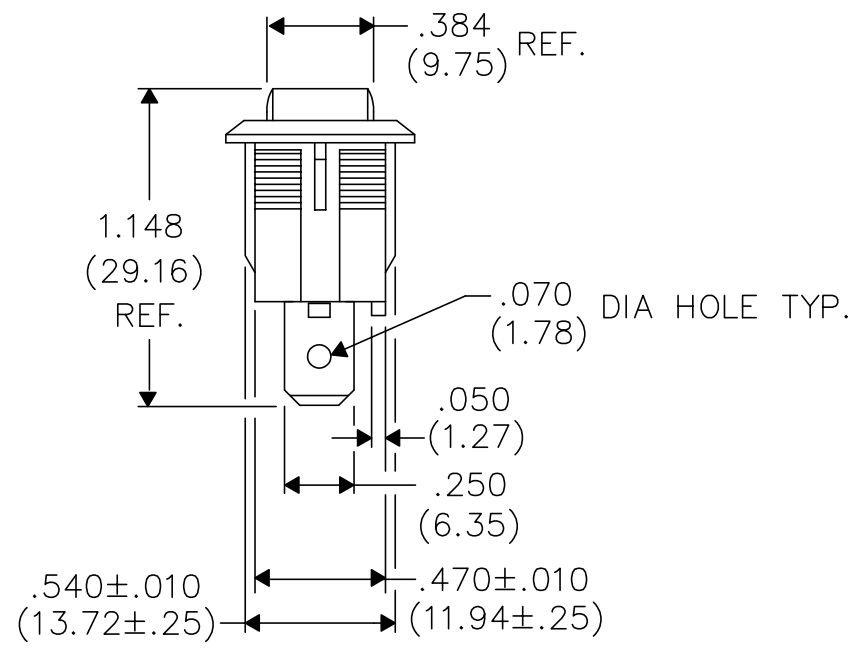
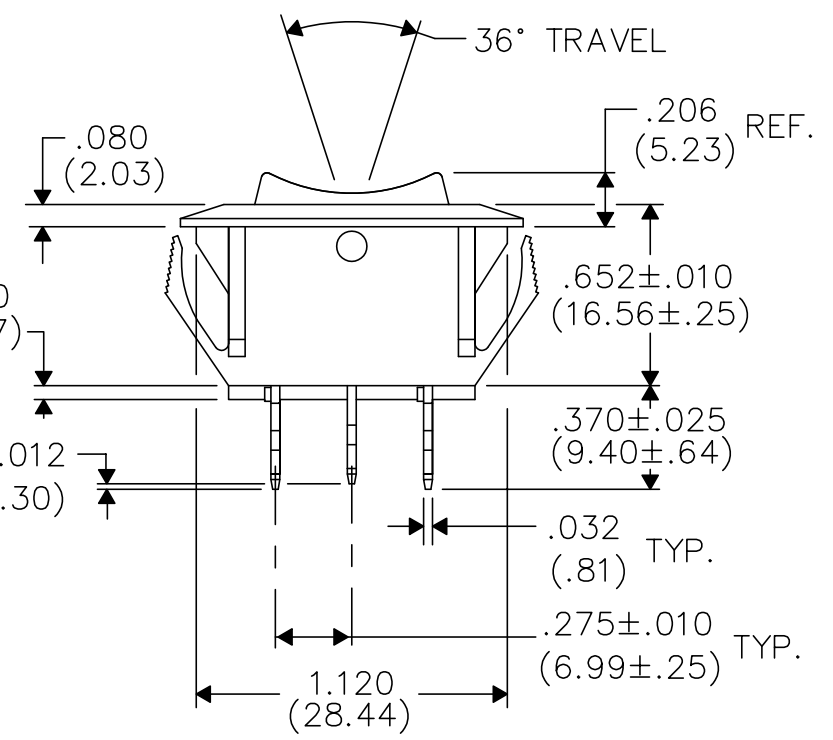
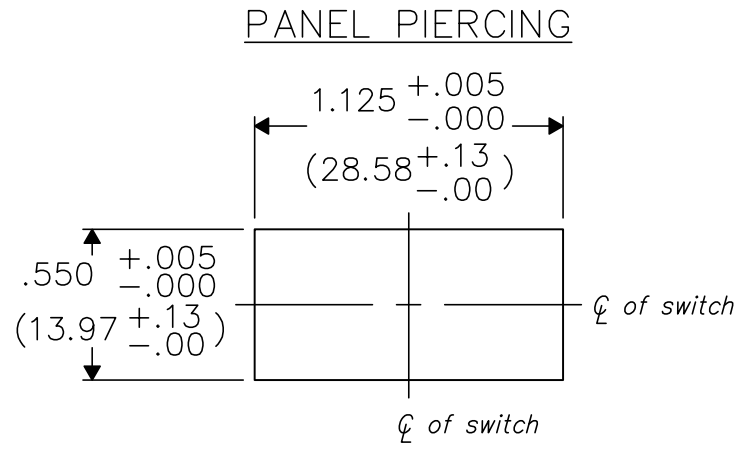
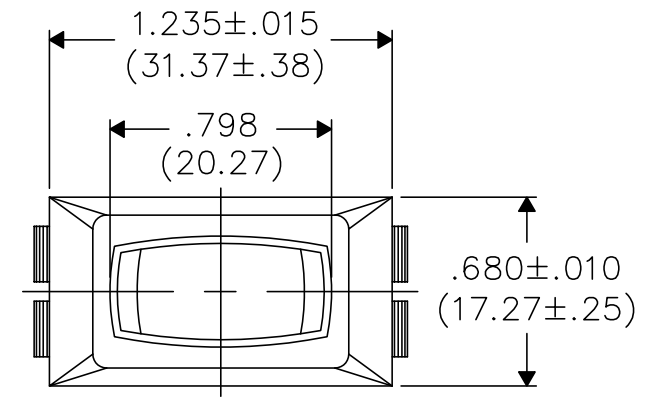


DIMENSIONS IN INCHES (MILLIMETERS)
DO NOT SCALE DRAWING

Dwg. No.
GRS-2013A-2600

E
D
C
B
A



1 2 3 4 5 6 7 8 9 10

FORM-B4

REVISIONS

0	RELEASED. DGW 3-28-2002 4-02-02
---	---------------------------------------

CW INDUSTRIES
Southampton, Pa. 18966

TOLERANCES UNLESS OTHERWISE SPECIFIED	
2 Place Decimal ±.010	METRIC
3 Place Decimal ±.005	1 Place Dec. ±.25mm
Angles ±1°	2 Place Dec. ±.13mm

Made for:	CW IND.
Drawn by:	DGW 3-28-2002
Checked by:	GG 4-01-02
Approval:	BF 4-01-02

Title: ASSEMBLY DRAWING
CENTER OFF
S.P.D.T. ROCKER SWITCH
NON-POLARIZED
1.125" x .550" PANEL

Division: SWITCH
Dwg. No. GRS-2013A-2600