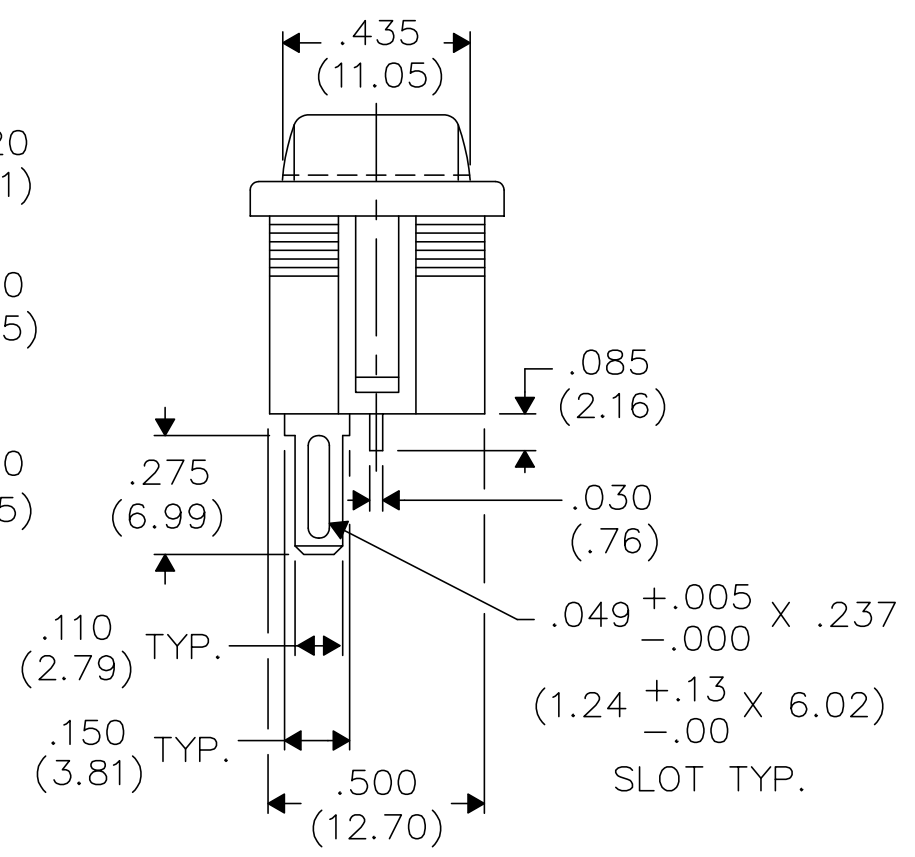
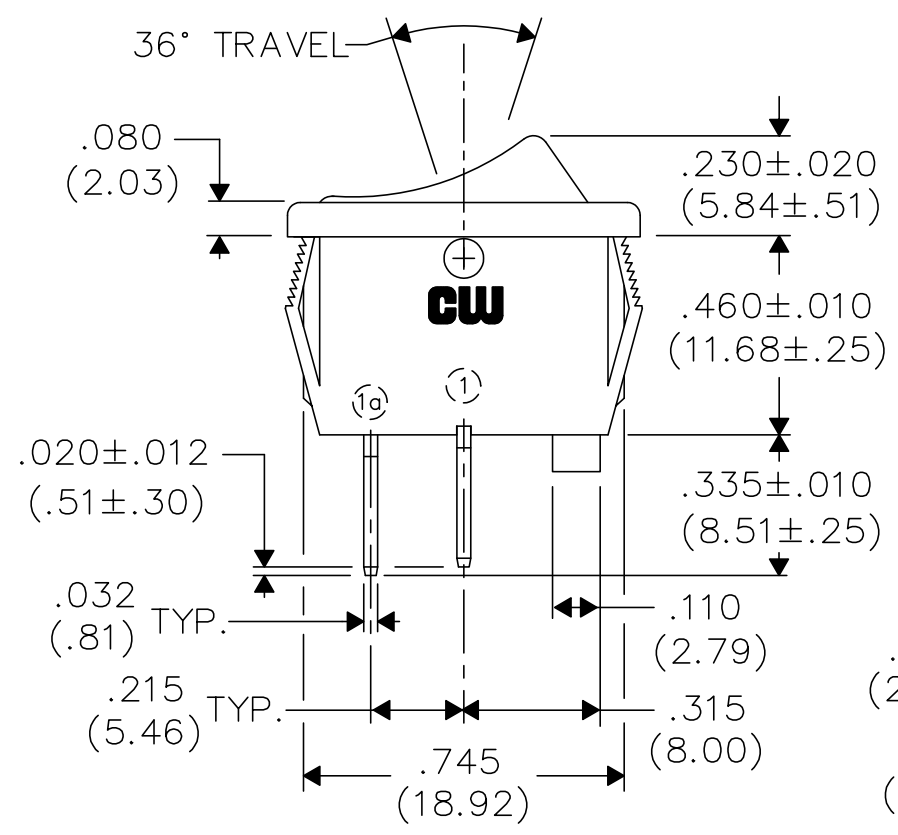
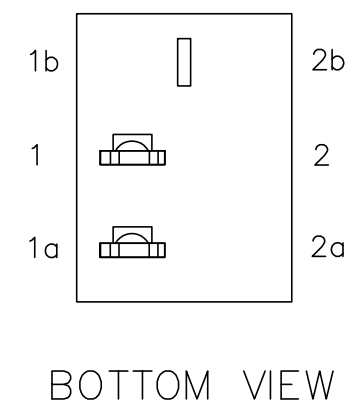
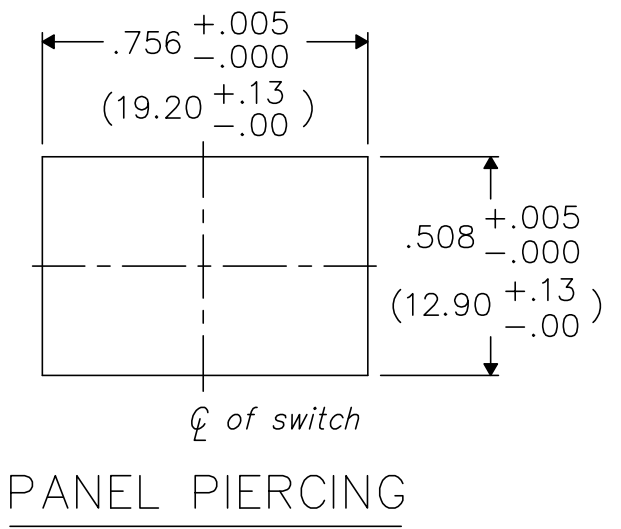
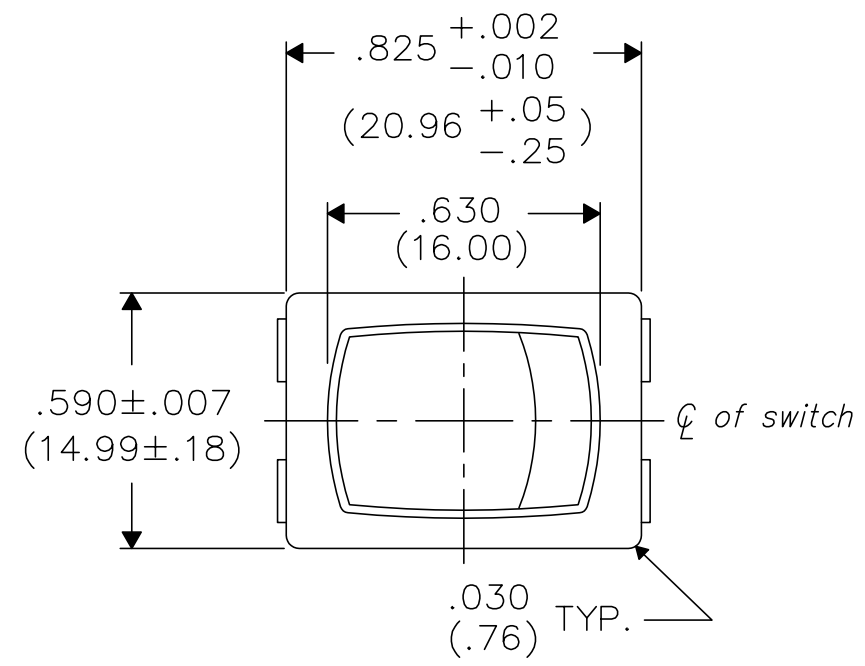


DIMENSIONS IN INCHES (MILLIMETERS)
DO NOT SCALE DRAWING

Dwg. No.
GRS-4011-0024



1 2 3 4 5 6 7 8 9 10

B-FORMAT 2002
REVISIONS
0
RELEASED.
DGW 2-04-2002
2-06-02

CW INDUSTRIES
Southampton, Pa. 18966

TOLERANCES UNLESS OTHERWISE SPECIFIED

| | |
|-----------------------|---------------------|
| 2 Place Decimal ±.010 | METRIC |
| 3 Place Decimal ±.005 | 1 Place Dec. ±.25mm |
| Angles ±1° | 2 Place Dec. ±.13mm |

Made for: CW IND.
Division: SWITCH

Drawn by: DGW 2-04-2002
Checked by: GG 2-06-2002
Approval: BF 2-06-2002

Title: ASSEMBLY DRAWING SWIDGET

Dwg. No. GRS-4011-0024