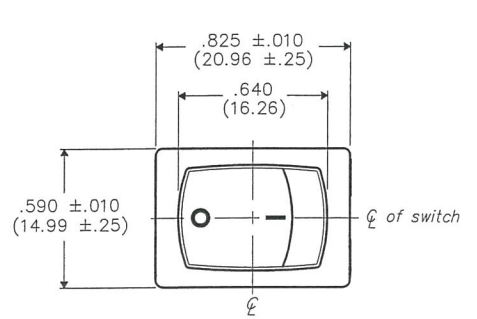


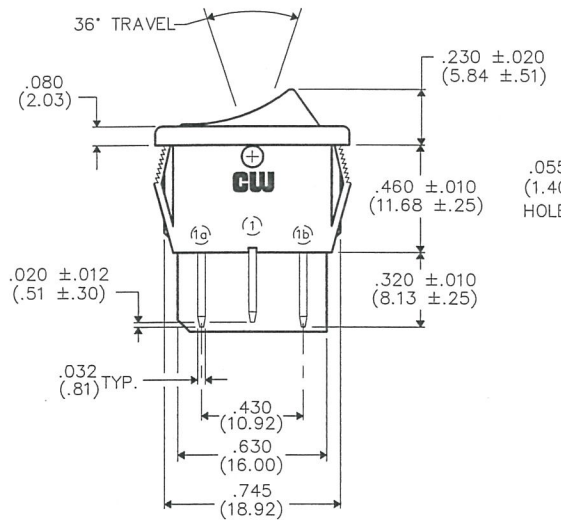
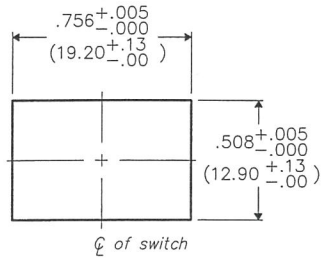
THIS INFORMATION IS CONFIDENTIAL AND PROPRIETARY TO CW INDUSTRIES INCORPORATED AND ITS AFFILIATES. IT MAY NOT BE DISCLOSED TO ANYONE OTHER THAN CW INDUSTRIES PERSONNEL, WITHOUT WRITTEN AUTHORIZATION FROM CW INDUSTRIES INCORPORATED, SOUTHAMPTON, PENNSYLVANIA USA.

DIMENSIONS IN INCHES (MILLIMETERS)
DO NOT SCALE DRAWING

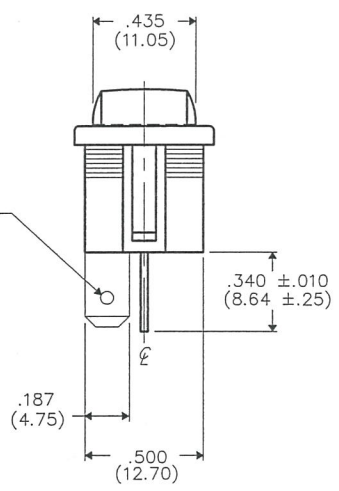
Dwg. No.
GRS-4012-0047



PANEL PIERCING



.055 DIA.
(1.40)
HOLE TYP.



UL, CSA & VDE LISTED:

16A 125-250VAC 3/4H.P. 125-250VAC
3A 125V L 10A 14V(T)
10(4) 250 ~ 4 T85'

MATERIALS:

BUTTON & HOUSING- NYLON 6/6 94V-2, COLOR/ BLACK
TERMINAL & MOVING CONTACT - COPPER ALLOY

1 2 3 4 5 6 7 8 9 10

B-FORMAT 2002	REVISIONS
	0 RELEASED: DWG 8-01-94 RBK AUG. 5, 1994
	1 REDRAWN, UPDATED WITH NEW FORMAT AND ADDED UL & CSA & VDE LISTED AND MATERIALS. DWG 2-25-2013 FEB 26 2013

PDF MADE	cw INDUSTRIES Southampton, Pa. 18966	Title: ROCKER SWIDGET ASSEMBLY (POP-IN) S.P.- D.T.
	TOLERANCES UNLESS OTHERWISE SPECIFIED	
	2 Place Decimal ±.010 METRIC 3 Place Decimal ±.005 1 Place Dec. ±.25mm Angles ±1' 2 Place Dec. ±.13mm	
	Made for: CW IND.	Division: SWITCH
	Drawn by: DGW 8-01-94	Dwg. No.
	Checked by: <i>G. Guld 2-26-13</i>	GRS-4012-0047
	Approval: <i>C. Hannon 2/26/13</i>	

MASTER