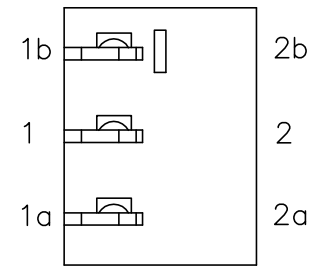
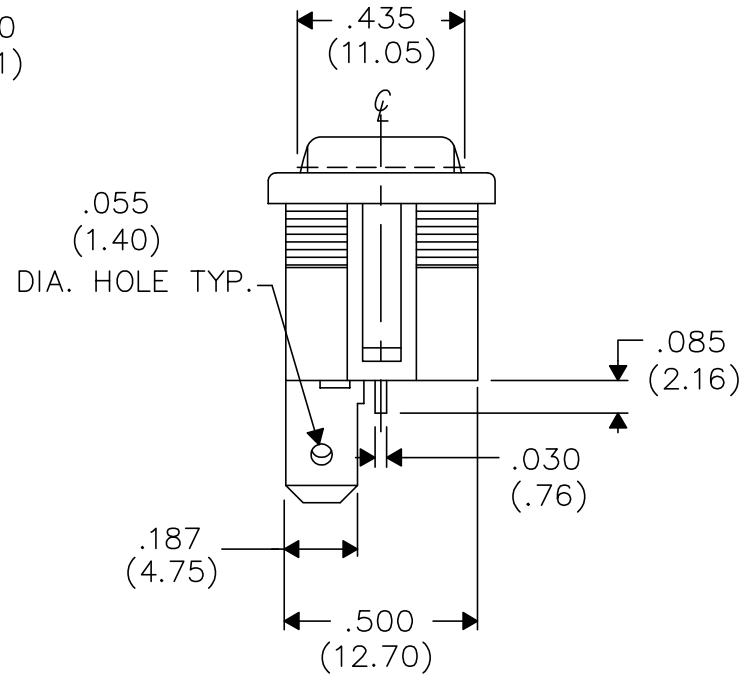
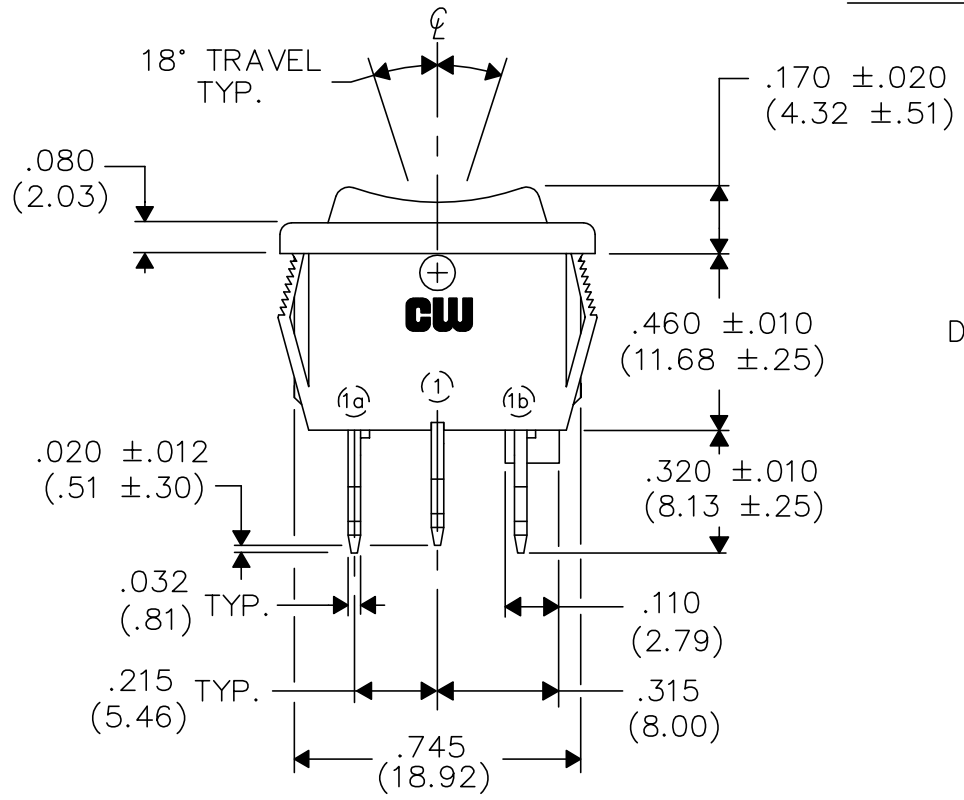


PANEL PIERCING



BOTTOM VIEW



E
D
C
B
A

1 2 3 4 5 6 7 8 9 10

FORM-B4	REVISIONS	0	1
RELEASED PER NPB 525.	REMOVED I O II PAD PRINT.	DGW 1-04-2000	DGW 11-04-2004
Jan. 06, 2000	GG NOV. 05, 2004		

PDF File Made	CW INDUSTRIES Southampton, Pa. 18966		Title: ASSEMBLY ROCKER SWIDGET (POP IN S.P.- D.T.)
	TOLERANCES UNLESS OTHERWISE SPECIFIED		
	2 Place Decimal ±.010	METRIC	Division: SWITCH
	3 Place Decimal ±.005	1 Place Dec. ±.25mm	
Angles ±1°	2 Place Dec. ±.13mm	Dwg. No. GRS-4013A-0021	
Made for: CW IND.	Drawn by: DGW 1-04-2000	Checked by: GG 1/6/00	Approval: BF 1/6/00