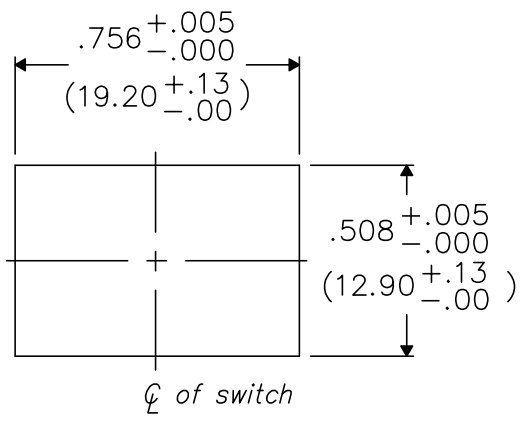
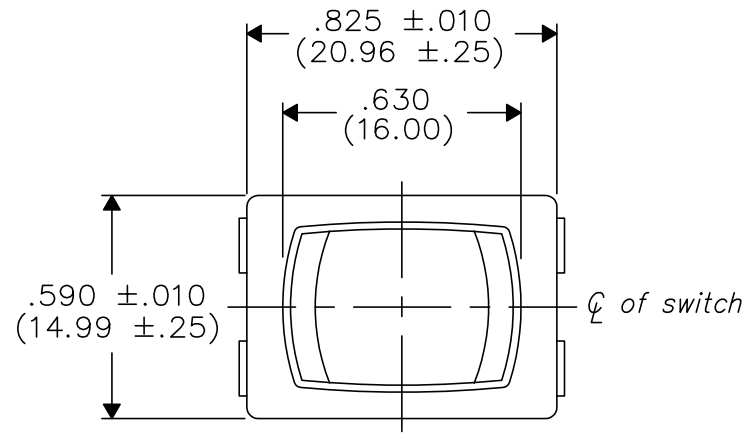
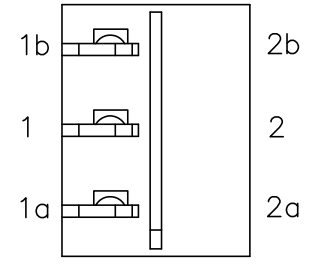


DIMENSIONS IN INCHES (MILLIMETERS)
DO NOT SCALE DRAWING

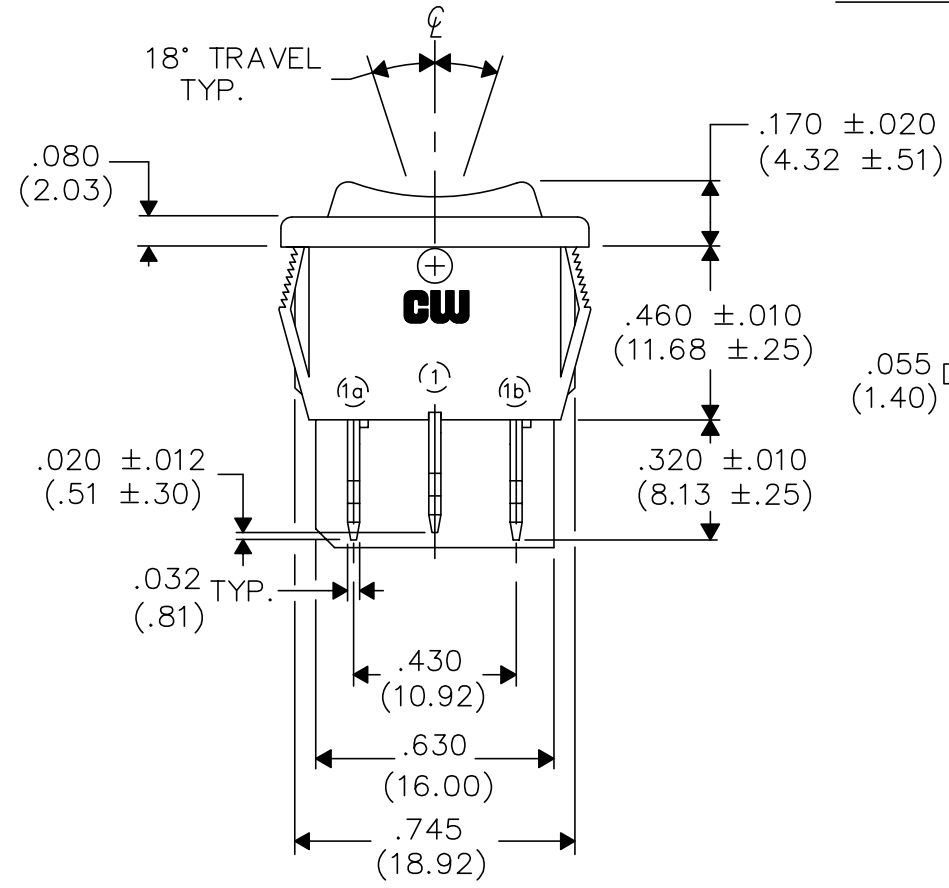
Dwg. No.
GRS-4013A-1300



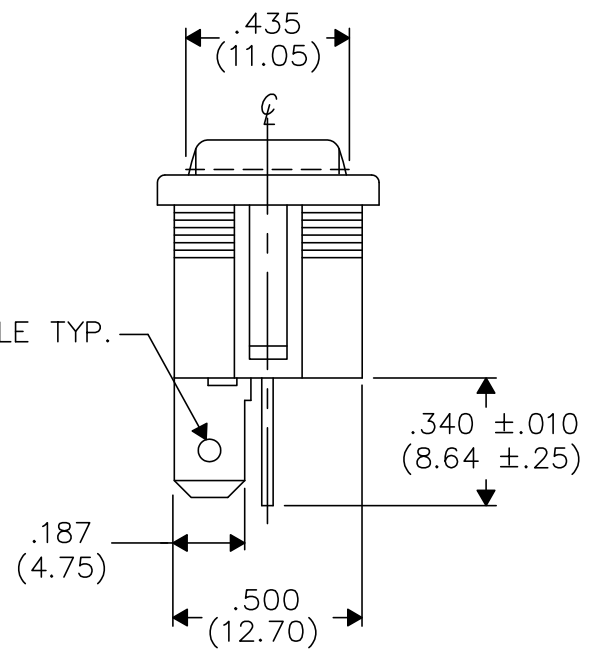
PANEL PIERCING



BOTTOM VIEW



.055 DIA. HOLE TYP.
(1.40)



1	2	3	4	5	6	7	8	9	10
---	---	---	---	---	---	---	---	---	----

B-FORMAT 2002
REVISIONS
0
RELEASED.
DGW 1-30-2002
1-31-02

CW INDUSTRIES
Southampton, Pa. 18966

TOLERANCES UNLESS OTHERWISE SPECIFIED

2 Place Decimal ±.010	METRIC
3 Place Decimal ±.005	1 Place Dec. ±.25mm
Angles ±1°	2 Place Dec. ±.13mm

Made for: CW IND.
Drawn by: DGW 1-30-2002
Checked by: GG 1-31-02
Approval: BF 1-31-02

Title: ASSEMBLY
ROCKER SWIDGET
S.P.- CENTER OFF

Division: SWITCH

Dwg. No.
GRS-4013A-1300