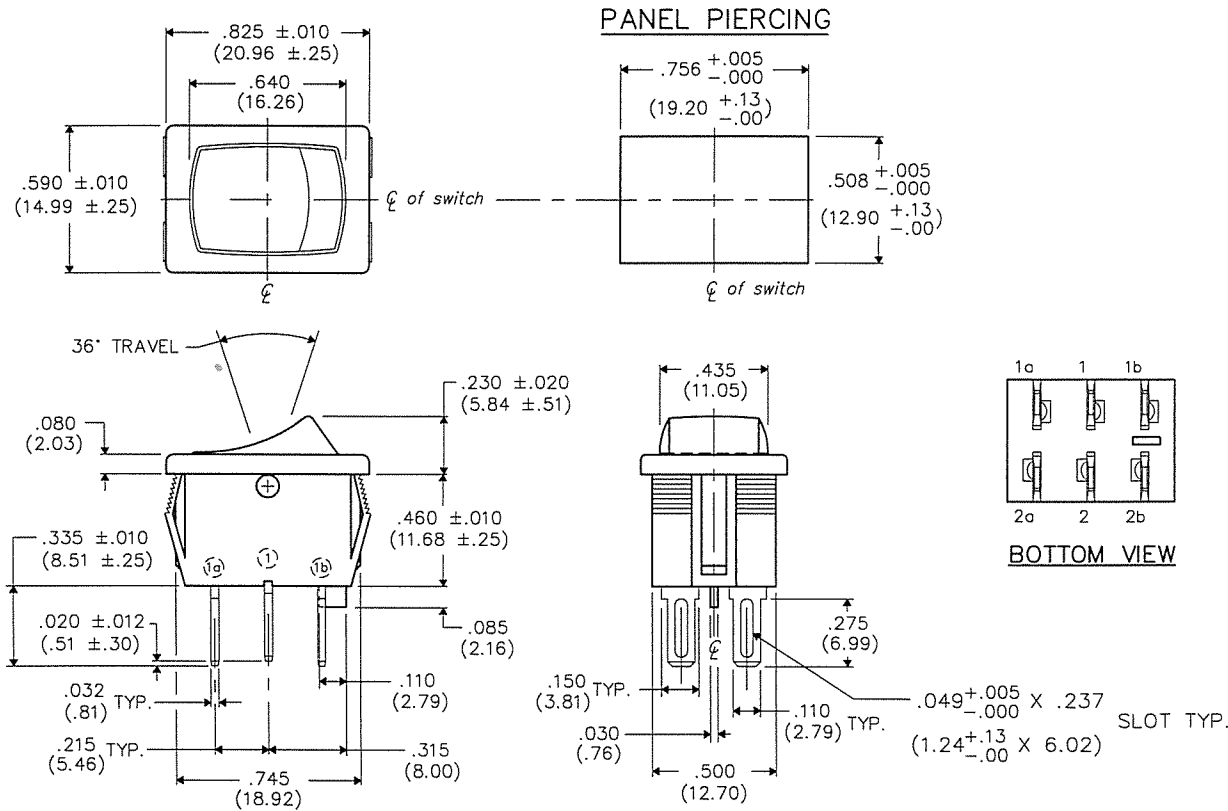


DIMENSIONS IN INCHES (MILLIMETERS)  
DO NOT SCALE DRAWING .....

Dwg. No.

GRS-4022A-0003



FORM-B

REVISIONS

0

RELEASED  
DWG 10-12-94  
10/15/94

**ATTENTION**  
THIS DRAWING AND ITS ATTACHMENTS, IF ANY, ARE PROPRIETARY TO CW INDUSTRIES AND DESCRIBE DESIGNS THAT ARE CONFIDENTIAL AND MUST NOT BE DISCLOSED UNLESS AUTHORIZED, IN WRITING, BY AN OFFICER OF CW INDUSTRIES.

**CW INDUSTRIES**  
Southampton, Pa. 18966

Title:

SWIDGET  
ASSEMBLY  
MOMENTARY  
D.P. - D.T.

TOLERANCES UNLESS OTHERWISE SPECIFIED  
 2 Place decimal  $\pm .010$  METRIC  
 3 Place decimal  $\pm .005$  1 Place dec.  $\pm .25$ mm  
 Angles .....  $\pm 1^\circ$  2 Place dec.  $\pm .13$ mm

Division:

SWITCH

Id. No.: SAS0219A

Made for: CW IND.

Drawn by: DGW 10-12-94

Checked by: G. Guld 10-14-94

Approval: *[Signature]*

Dwg. No.

GRS-4022A-0003