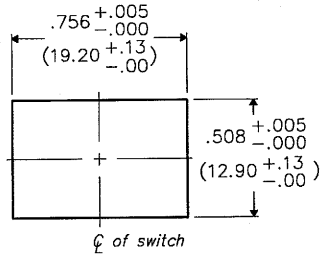
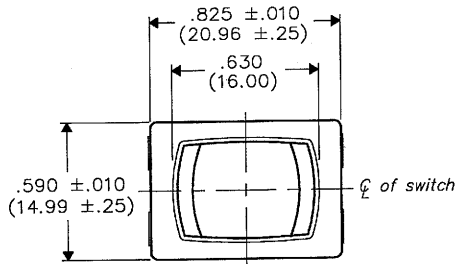


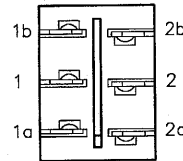
DIMENSIONS IN INCHES (MILLIMETERS)  
DO NOT SCALE DRAWING .....

Dwg. No.

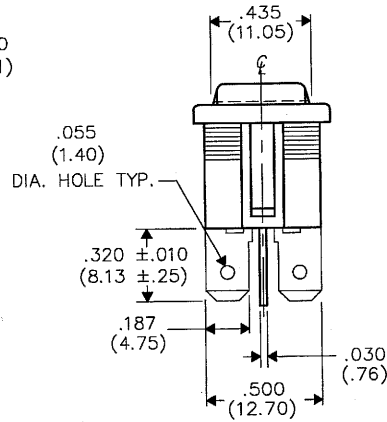
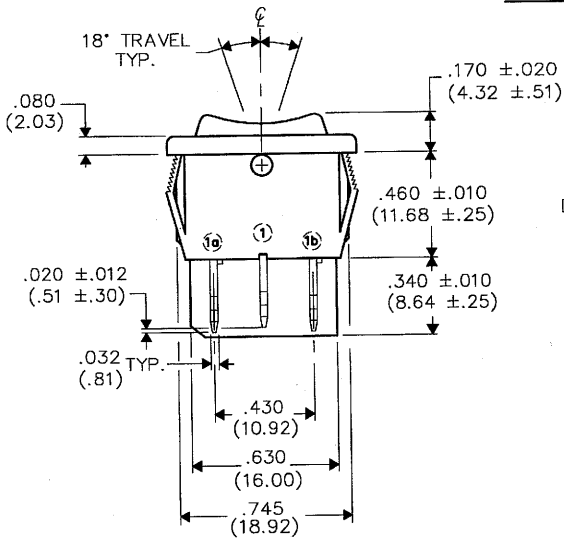
GRS-4023A-0000



PANEL PIERCING



BOTTOM VIEW



FORM-B

REVISIONS

0	RELEASED
	DGW 10-14-94
	AW 10-23-94

(PDF File Made)

ID. No.: SAS0223A

**CW INDUSTRIES**  
Southampton, Pa. 18966

TOLERANCES UNLESS OTHERWISE SPECIFIED

2 Place decimal ±.010	METRIC
3 Place decimal ±.005	1 Place dec. ±.25mm
Angles ..... ± 1°	2 Place dec. ±.13mm

Made for: CW IND.

Drawn by: DGW 10-14-94

Checked by: G. Guld 10-20-94

Approval: A. HOSFELD 10-20-94

Title: ASSEMBLY  
ROCKER SWIDGET  
D.P. - CENTER OFF  
(ON - OFF - ON)

Division:

SWITCH

Dwg. No.

GRS-4023A-0000