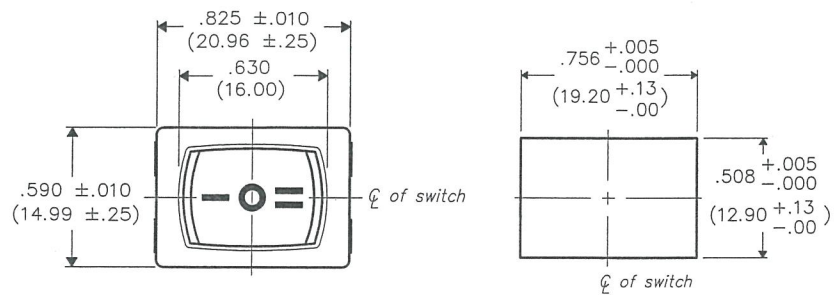


THIS INFORMATION IS CONFIDENTIAL AND PROPRIETARY TO CW INDUSTRIES INCORPORATED AND ITS AFFILIATES. IT MAY NOT BE DISCLOSED TO ANYONE, OTHER THAN CW INDUSTRIES PERSONNEL, WITHOUT WRITTEN AUTHORIZATION FROM CW INDUSTRIES INCORPORATED, SOUTHAMPTON, PENNSYLVANIA USA.

DIMENSIONS IN INCHES (MILLIMETERS)
DO NOT SCALE DRAWING

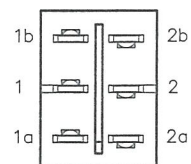
Dwg. No.
GRS-4023A-0014



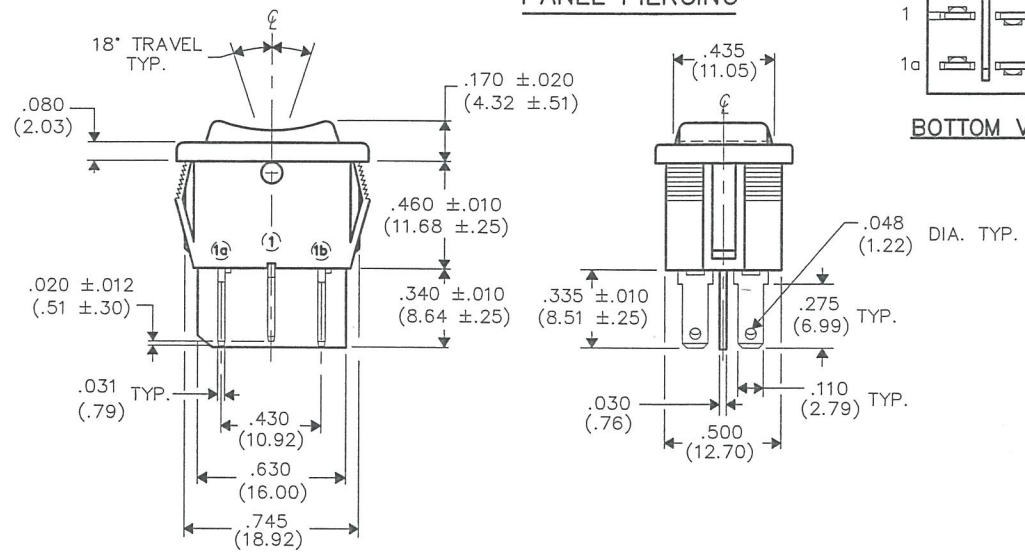
PANEL PIERCING

SWITCH COLOR - Black
LEGEND COLOR - White

SWITCH RATINGS:
UL & CSA
13A. 125VAC 10A. 250VAC
1/2 H.P. 125-250VAC 5A. 14V (T)



BOTTOM VIEW



1 2 3 4 5 6 7 8 9 10

B-FORMAT 2002

REVISIONS	1
REDRAWN, ADDED RATINGS.	
DGW 7-03-13	
2013	

PDF MADE	CW INDUSTRIES Southampton, Pa. 18966		Title: ASSEMBLY ROCKER SWIDGET D.P.- CENTER OFF (ON-OFF-ON)
	TOLERANCES UNLESS OTHERWISE SPECIFIED		
	2 Place Decimal ±.010	METRIC	Division: SWITCH
	3 Place Decimal ±.005	1 Place Dec. ±.25mm 2 Place Dec. ±.13mm	
Made for: CW IND.	Drawn by: DGW 7-03-13	Dwg. No. GRS-4023A-0014	
Checked by: <i>G. Gold</i> 7-10-13	Approval: <i>G. Gold</i> 7-10-13		

MASTER