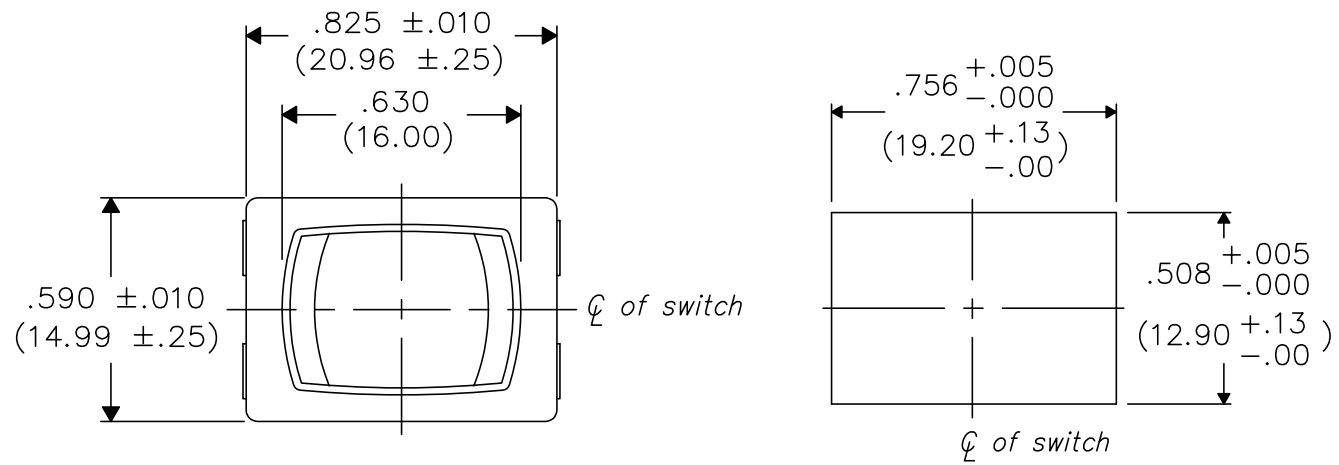


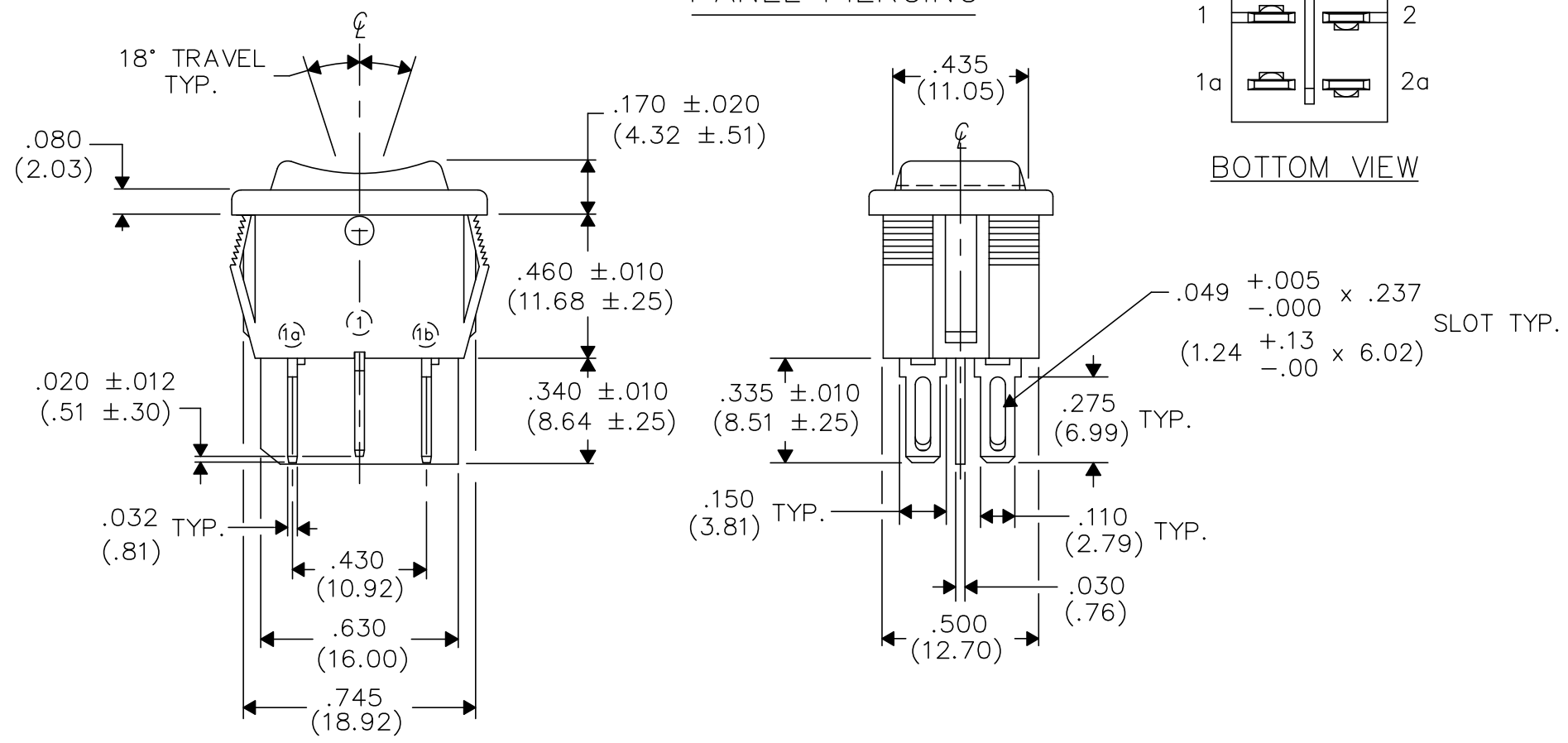
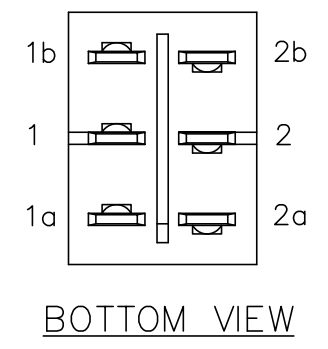
DIMENSIONS IN INCHES (MILLIMETERS)  
DO NOT SCALE DRAWING .....

Dwg. No.  
GRS-4023A-0019

E  
D  
C  
B  
A



PANEL PIERCING



1 2 3 4 5 6 7 8 9 10

FORM-B4  
REVISIONS  
0  
RELEASED.  
DGW 3-28-2002  
4-02-02

**CW INDUSTRIES**  
Southampton, Pa. 18966  
TOLERANCES UNLESS OTHERWISE SPECIFIED  
2 Place Decimal ±.010 METRIC  
3 Place Decimal ±.005 1 Place Dec. ±.25mm  
Angles ..... ±1° 2 Place Dec. ±.13mm  
Made for: CW IND.  
Drawn by: DGW 3-28-2002  
Checked by: GG 4-01-02  
Approval: BF 4-01-02

Title: ROCKER ASSEMBLY  
D.P.- CENTER OFF (ON-OFF-ON)  
Division: SWITCH  
Dwg. No. GRS-4023A-0019