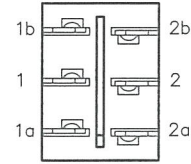
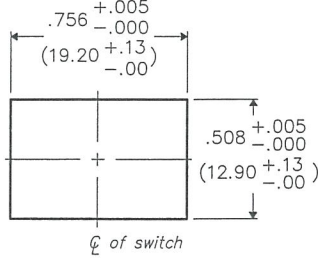
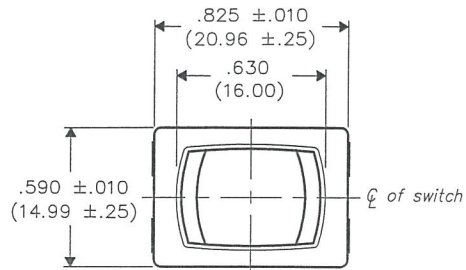


THIS INFORMATION IS CONFIDENTIAL AND PROPRIETARY TO CW INDUSTRIES INCORPORATED AND ITS AFFILIATES. IT MAY NOT BE DISCLOSED TO ANYONE, OTHER THAN CW INDUSTRIES PERSONNEL, WITHOUT WRITTEN AUTHORIZATION FROM CW INDUSTRIES INCORPORATED, SOUTHAMPTON, PENNSYLVANIA USA.

DIMENSIONS IN INCHES (MILLIMETERS)
 DO NOT SCALE DRAWING
 Dwg. No. **GRS-4023B-0005**



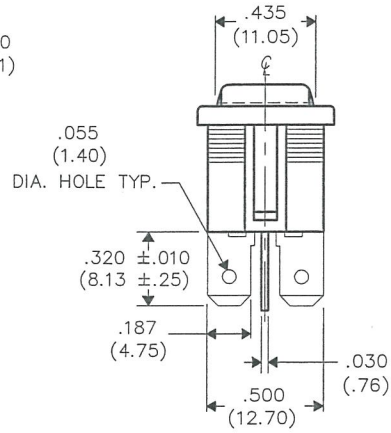
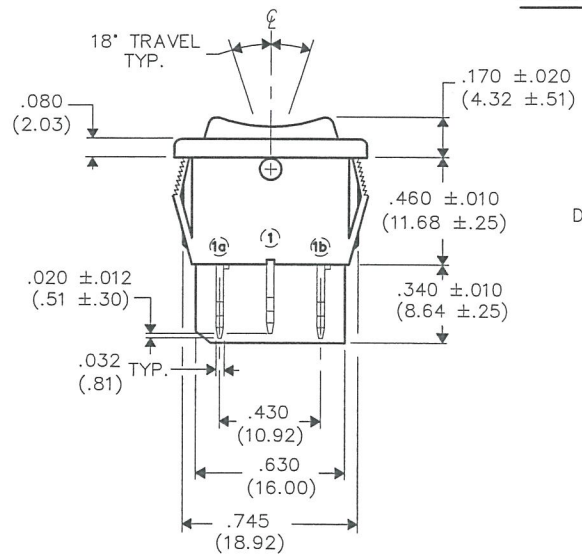
BUTTON COLOR - Red
HOUSING COLOR - Black

PANEL PIERCING

BOTTOM VIEW

SWITCH RATINGS:

UL & CSA
 13A. 125VAC 10A. 250VAC
 1/2 H.P. 125-250VAC 5A. 14V (T)



1 2 3 4 5 6 7 8 9 10

B-FORMAT 2002	REVISIONS	0
	RELEASED: DGW 7-03-13 JUL 19 2013	

PDF MADE	CW INDUSTRIES Southampton, Pa. 18966	Title: ROCKER SWIDGET ASSEMBLY
	TOLERANCES UNLESS OTHERWISE SPECIFIED 2 Place Decimal ±.010 METRIC 3 Place Decimal ±.005 1 Place Dec. ±.25mm Angles ±1' 2 Place Dec. ±.13mm	D.P.- CENTER OFF (MOM.-OFF-ON)
	Made for: CW IND.	Division: SWITCH
	Drawn by: DGW 7-03-13 Checked by: <i>B. Guld 7-10-13</i> Approval: <i>G. Guld 7-10-13</i>	Dwg. No. GRS-4023B-0005

MASTER