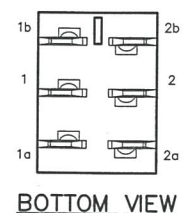
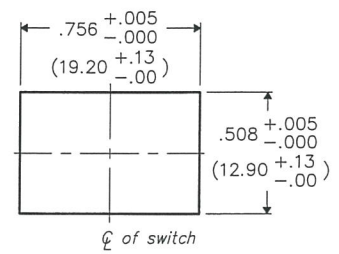
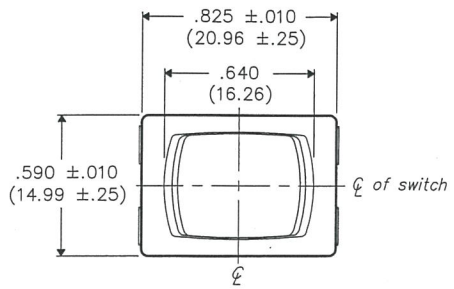


E
D
C
B
A

DIMENSIONS IN INCHES (MILLIMETERS)
DO NOT SCALE DRAWING Dwg. No. **GRS-4023C-0009**

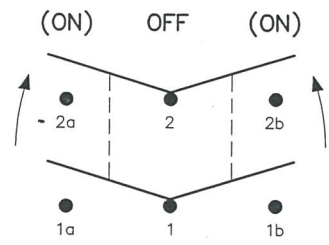
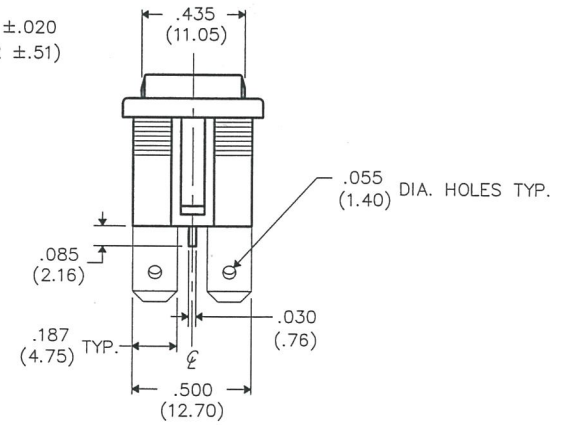
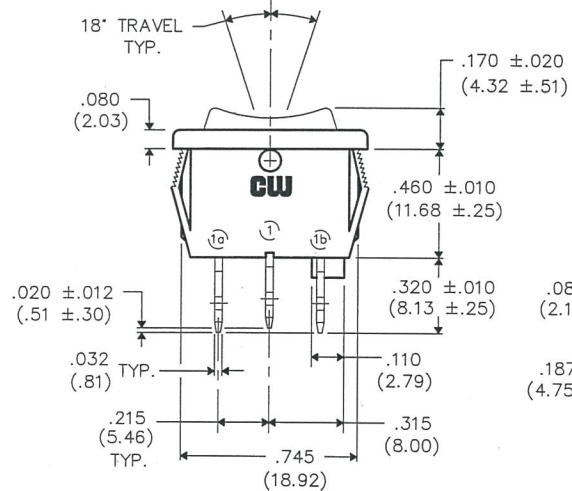
PANEL PIERCING



MATERIAL:
ROCKER KNOB- Nylon 6/6, Color - Black
HOUSING- Nylon 6/6, Color - Black

ELECTRICAL RATING-
13A 125VAC 5A 14V T
10A 250VAC 1/2 H.P. 125-250VAC

LISTING AGENCIES-



1 2 3 4 5 6 7 8 9 10

B-FORMAT 2002	REVISIONS
	0 RELEASED: DGW 4-29-2014
	1 ADDED CSA AND SWITCH FUNCTION TO DRAWING. DGW 6-25-14
	JUN 25 2014

ATTENTION

THIS DRAWING AND ITS ATTACHMENTS, IF ANY, ARE PROPRIETARY TO CW INDUSTRIES AND DESCRIBE DESIGNS THAT ARE CONFIDENTIAL AND MUST NOT BE DISCLOSED UNLESS AUTHORIZED, IN WRITING, BY AN OFFICER OF CW INDUSTRIES.....

cw INDUSTRIES Southampton, Pa. 18966	Title: MINI ROCKER ASSEMBLY (POP IN) (MOM. ON)-OFF-(MOM. ON)	
	Division: SWITCH	
TOLERANCES UNLESS OTHERWISE SPECIFIED		Dwg. No. GRS-4023C-0009
2 Place Decimal ±.010	METRIC	
3 Place Decimal ±.005	1 Place Dec. ±.25mm	
Angles ±1°	2 Place Dec. ±.13mm	
Made for: CW IND.		
Drawn by: DGW 4-29-2014		
Checked by: <i>G. BULD 6-25-14</i>		
Approval: <i>C. Hamm 6/25/14</i>		

MASTER