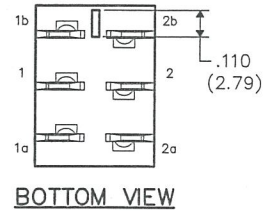
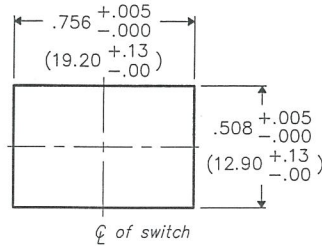
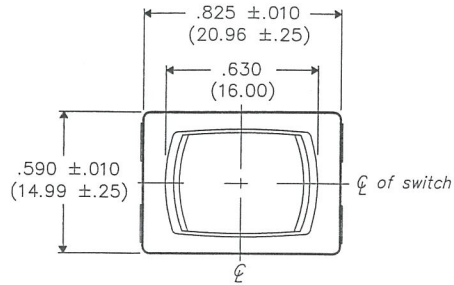


THIS INFORMATION IS CONFIDENTIAL AND PROPRIETARY TO CW INDUSTRIES INCORPORATED AND ITS AFFILIATES. IT MAY NOT BE DISCLOSED TO ANYONE OTHER THAN CW INDUSTRIES PERSONNEL, WITHOUT WRITTEN AUTHORIZATION FROM CW INDUSTRIES INCORPORATED, SOUTHAMPTON, PENNSYLVANIA USA.

DIMENSIONS IN INCHES (MILLIMETERS)
DO NOT SCALE DRAWING

Dwg. No.
GRS-4023C-0017

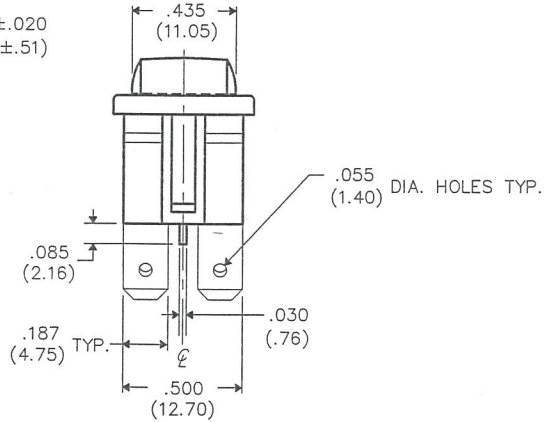
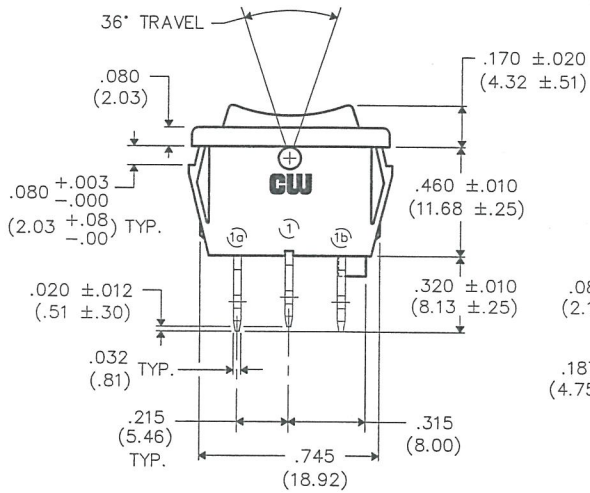
PANEL PIERCING



SWITCH COLOR - Black

SWITCH RATINGS:

- UL & CSA
- 13A. 125VAC 10A. 250VAC
- 1/2 H.P. 125-250 VAC
- 5A. 14V (T)



1 2 3 4 5 6 7 8 9 10

B-FORMAT 2002	REVISIONS	RELEASED. DCW 7-05-13 JHL 10 2013	GW INDUSTRIES Southampton, Pa. 18966		Title: ROCKER SWIDGET ASSEMBLY		
	TOLERANCES UNLESS OTHERWISE SPECIFIED		METRIC		D.P.D.T. CO.		
	2 Place Decimal ±.010		1 Place Dec. ±.25mm		SWITCH		
	3 Place Decimal ±.005		2 Place Dec. ±.13mm		Dwg. No.		
			Made for: CW IND.		Division:		
			Drawn by: DGW 7-05-13		SWITCH		
			Checked by: <i>G. Gold</i> 7-10-13		Dwg. No.		
			Approval: <i>G. Gold</i> 7-10-13		GRS-4023C-0017		

MASTER