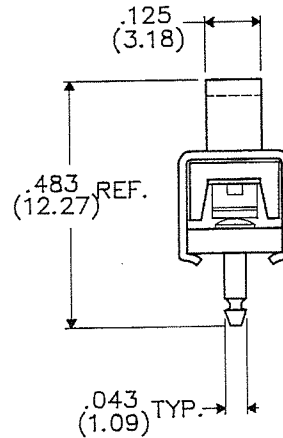
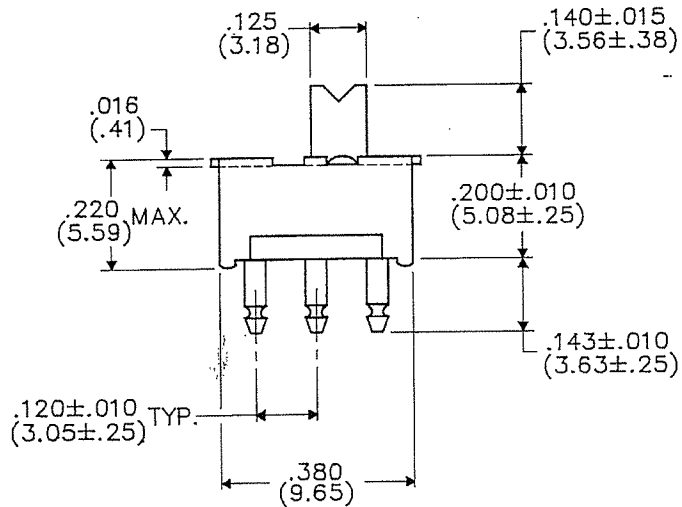
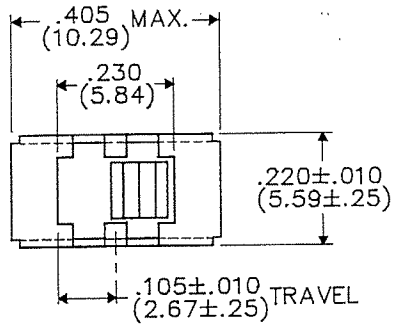


DIMENSIONS IN INCHES (MILLIMETERS)
DO NOT SCALE DRAWING...

Drawing No.
GS-115-0033



CW INDUSTRIES
Southampton, Pa. 18966

Title **ASSEMBLY DRAWING**
SWIDGET JR.
S.P. D.T.

ATTENTION
THIS DRAWING AND ITS ATTACHMENTS, IF ANY, ARE PROPRIETARY TO CW INDUSTRIES AND DESCRIBE DESIGNS THAT ARE CONFIDENTIAL AND MUST NOT BE DISCLOSED UNLESS AUTHORIZED, IN WRITING, BY AN OFFICER OF CW INDUSTRIES.....

TOLERANCES UNLESS OTHERWISE SPECIFIED
2 Place decimal ±.010 METRIC
3 Place decimal ±.005 1 Place dec. ±.25 MM
Angles ± 1° 2 Place dec. ±.15 MM

Made for: CW Ind.
Drawn by: MAM 7-12-90
Checked by: *PJK* 7-13-90
Approval: *PJK* 7-13-90

Division **SWITCH**
Drawing No.
GS-115-0033

B-FORM-0
REVISIONS
RELEASED
MAM 7-12-90
PJK