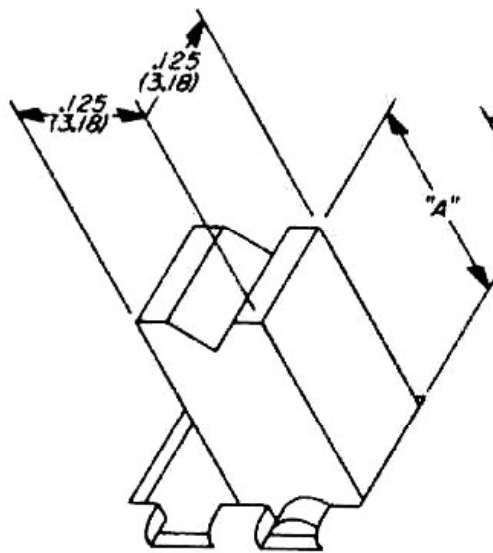
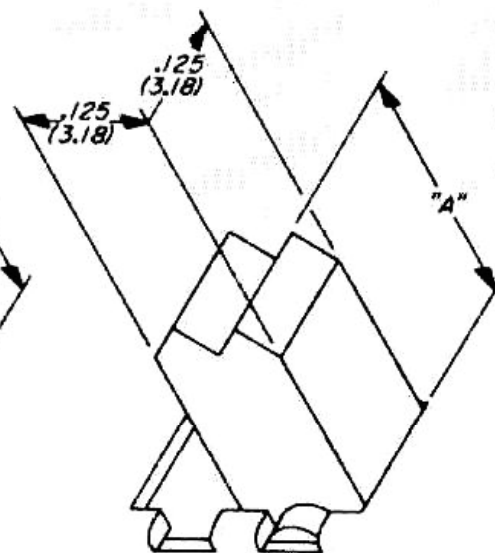


Button options... for switches charted only

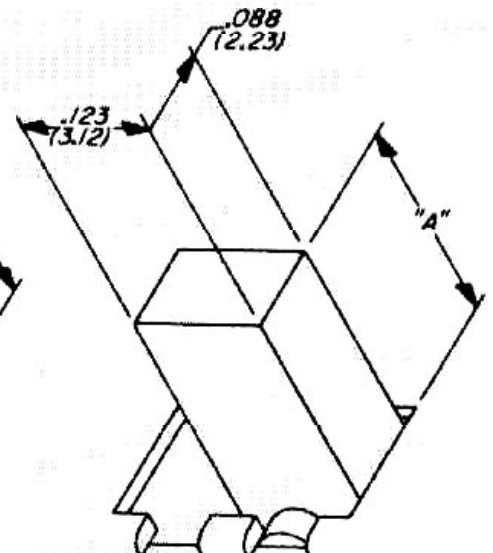
Button Part No.	Available "A" Dimension	GS-115	GS-115-0073	GS-118	GS-118-0008
G-02-239	.125, .140 .169	X	X	X	X
G-02-284	.197	X	X	X	X
G-02-372 for use with topper G-02-383	.147	X	X	X	X



G-02-239



G-02-284



G-02-372